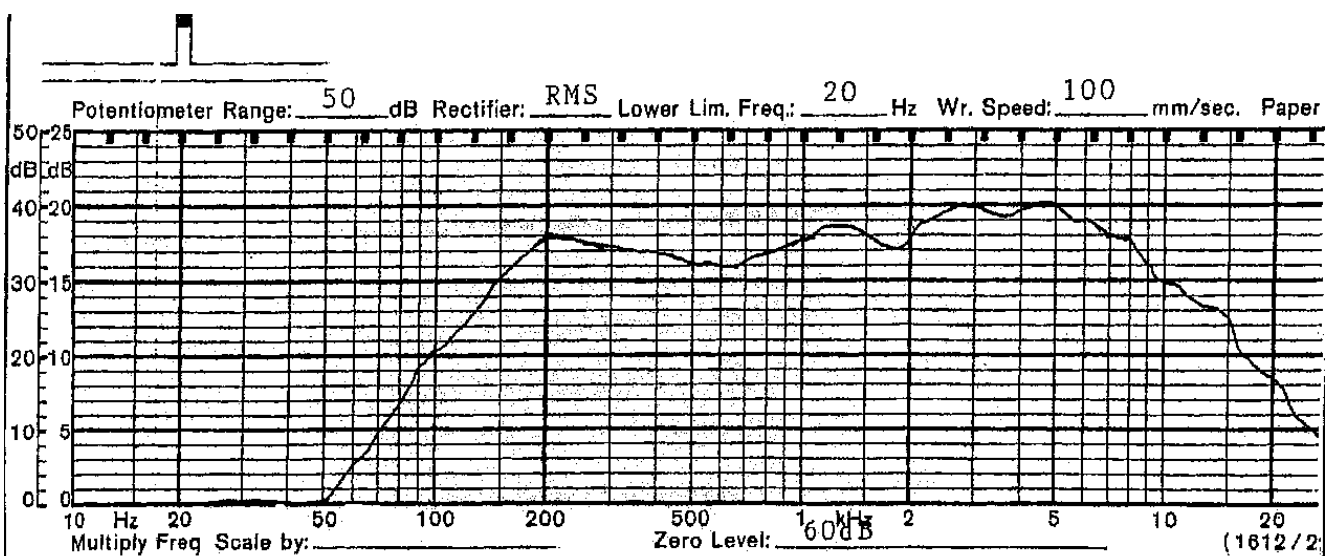


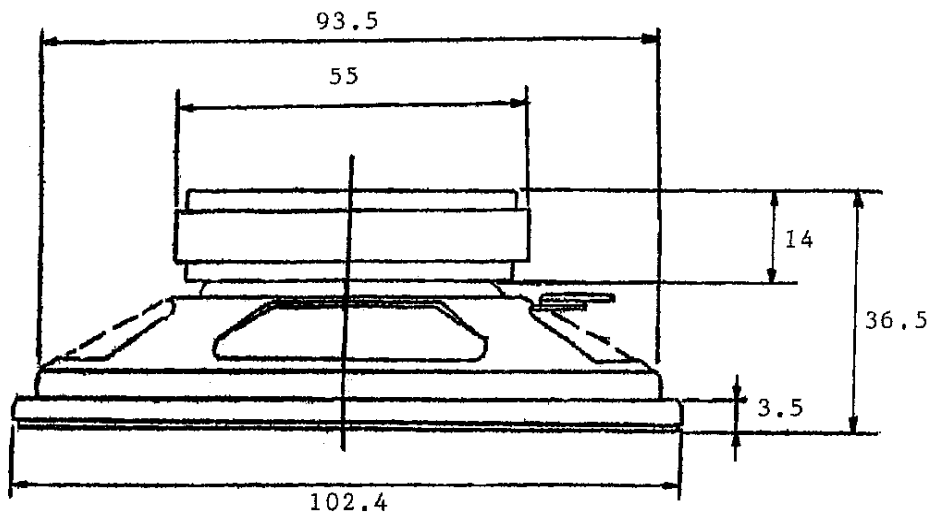
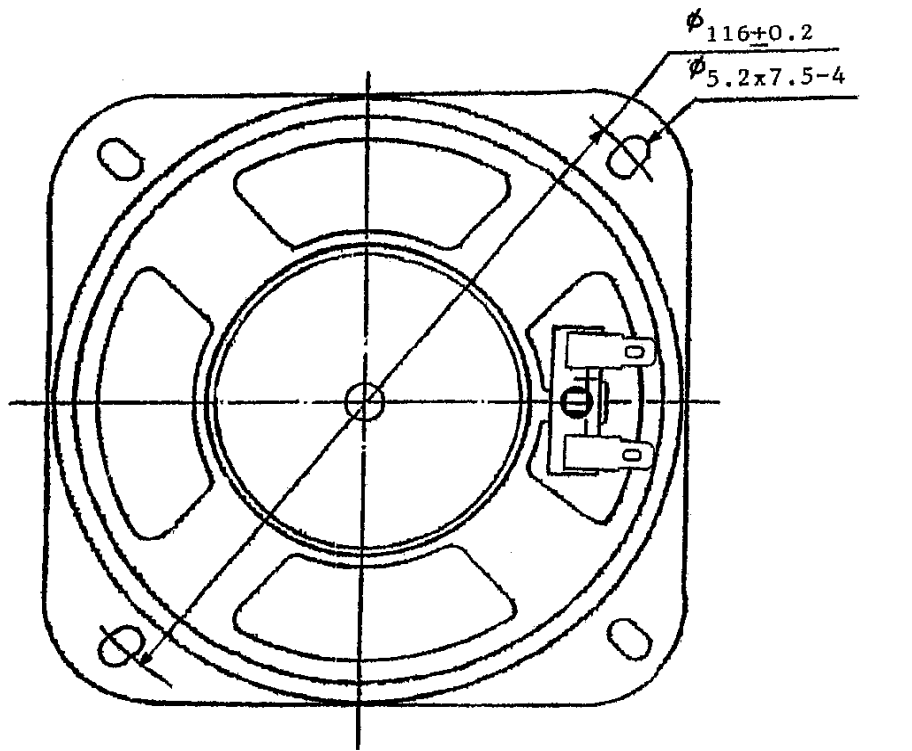
SHOGYO INTERNATIONAL CORP.

www.shogyo.com

SPEAKER SPECIFICATIONS

MODEL NO.	GF1004MX (RoHS)				
1	NOMINAL SIZE	102 mm	4	inch	
2	IMPEDANCE	8 Ω \pm 15%	at. 0.6K Hz	1 V	
3	RESONANCE FO	230 Hz \pm 46 Hz	FO Hz	1 V	
4	S.P. LEVEL	93 dB/w \pm 2 dB	1 W 50 cm average at		
5	FREQ. RESPONSE	Fo Hz ~ 14K Hz			
6	INPUT POWER	Nominal Input 6 W	Handling Capacity 10 W		
7	OPERATION	Must be normal at program source 6 W			
8	BUZZ, RATTLE, ETC.	Must be normal at Sine Wave 6.9 V			
9	MAGNET	55 x 25 x 8 mm			
10	FLUX DENSITY	Gauss \pm 10%	total flux max well within		
11	TOTAL WEIGHT	gr	oz		
12	LOAD TEST	After test meets Item 7 and 8	White noise 6 W 48 Hours		
13	DISTORTION				
14	HEAT TEST	After test meets Item 7 and 8	70 \pm 2$^{\circ}$ C 20-50 % R.H. 48 Hours		
15	HUMIDITY TEST	After test meet Item 7 and 8	40 \pm 2$^{\circ}$ C 90-95 % R.H. 48 Hours		





TOLERANCE: ± 0.8 MM

MODEL NO. GF1004MX

APPROVED	CHECKED	DRAWING