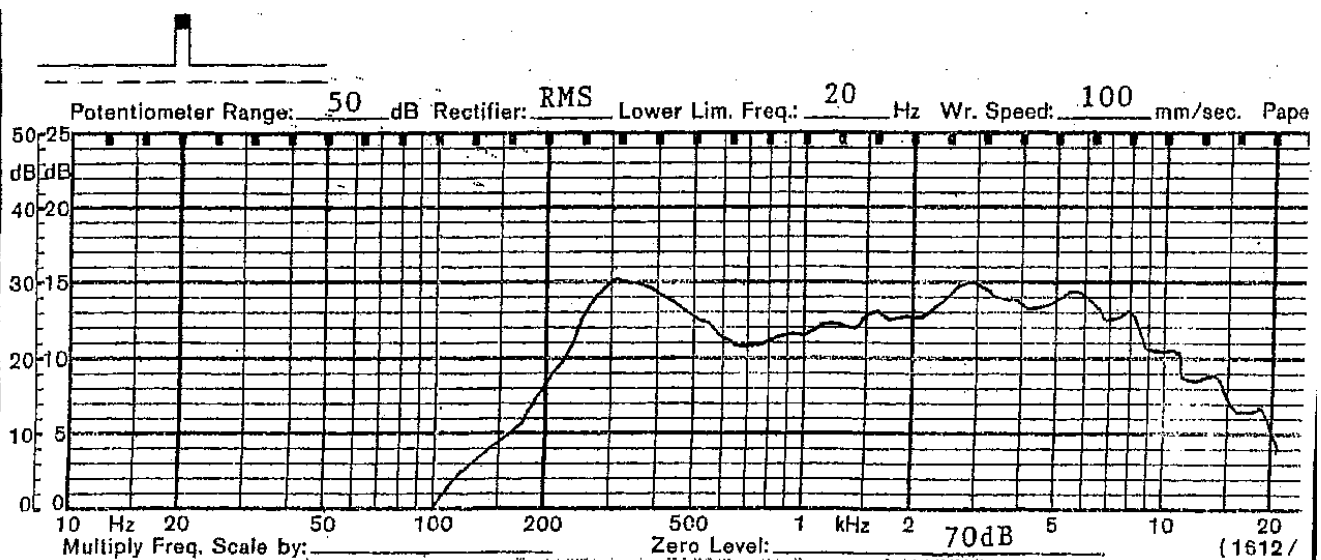


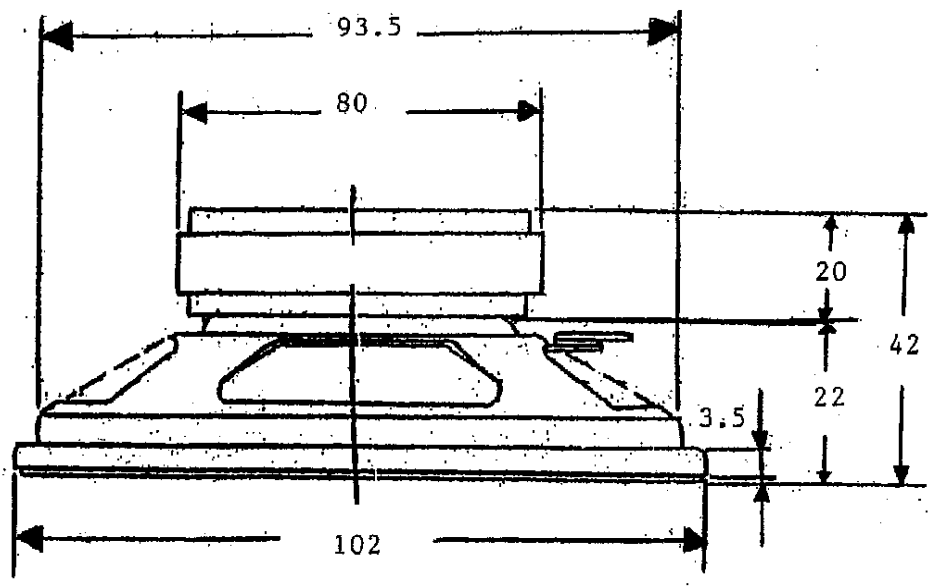
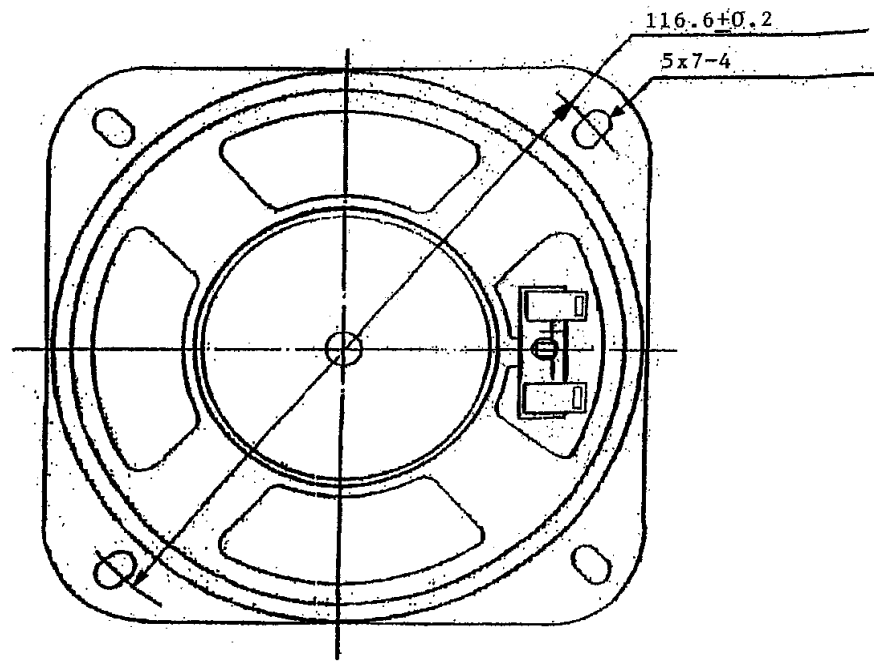
SHOGYO INTERNATIONAL CORP.

www.shogyo.com

SPEAKER SPECIFICATIONS

MODEL NO.	GF1008MX (RoHS)				
1	NOMINAL SIZE	100 mm	4	inch	
2	IMPEDANCE	2 Ω \pm 15%	at. 800 Hz	1 V	
3	RESONANCE FO	285 Hz \pm 56 Hz	FO Hz	1 V	
4	S.P. LEVEL	94 dB/w \pm 3 dB	1 W 50 cm average at		
5	FREQ. RESPONSE	Fo Hz ~ 12K Hz	MAX 10 dB	800, 1K, 1.2K, 1.5K Hz	
6	INPUT POWER	Nominal Input 10 W	Handling Capacity 20 W		
7	OPERATION	Must be normal at program source 10 W			
8	BUZZ, RATTLE, ETC.	Must be normal at Sine Wave 4.50 V			
9	MAGNET	80 x 40 x 12 mm			
10	FLUX DENSITY	Gauss \pm 10%	total flux max well within		
11	TOTAL WEIGHT	gr	oz		
12	LOAD TEST	After test meets Item 7 and 8	White noise 10 W 24 Hours		
13	DISTORTION				
14	HEAT TEST	After test meets Item 7 and 8	60 \pm 2° C 20-50 % R.H. 24 Hours		
15	HUMIDITY TEST	After test meet Item 7 and 8	40 \pm 2° C 90-95 % R.H. 24 Hours		





TOLERANCE: ± 0.5 MM

MODEL NO. GF1008MX		
APPROVED	CHECKED	DRAWING