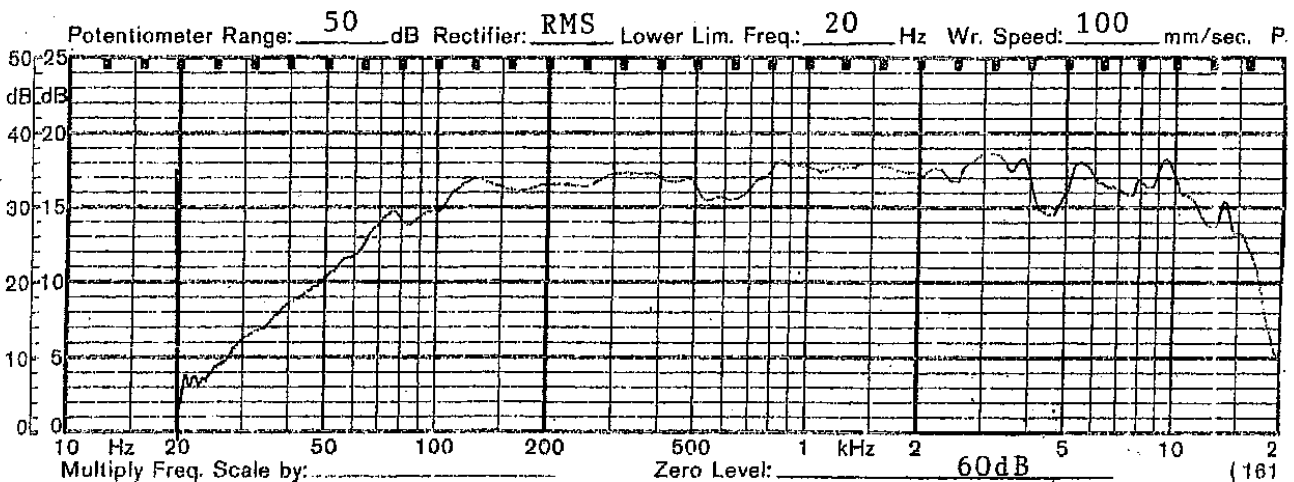


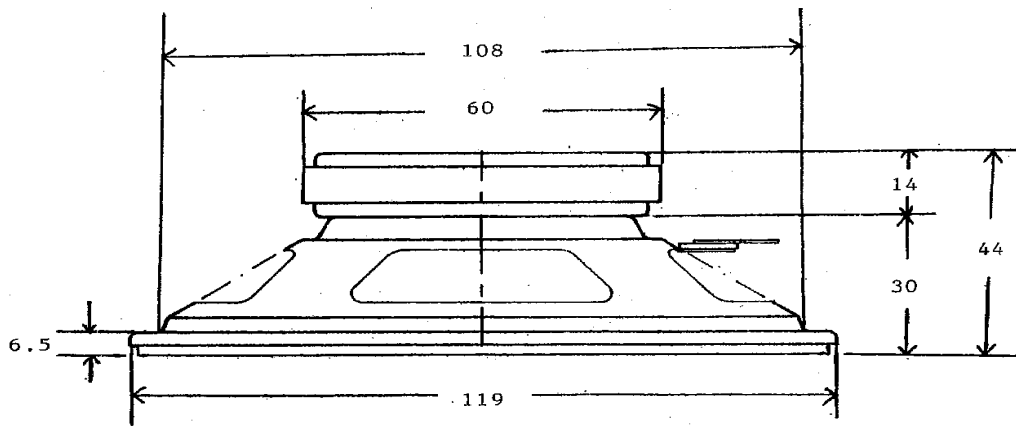
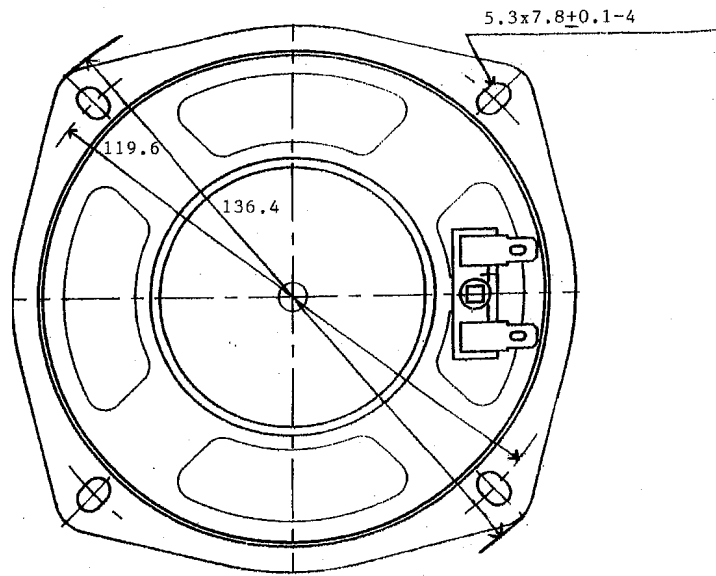
SHOGYO INTERNATIONAL CORP.

www.shogyo.com

SPEAKER SPECIFICATIONS

MODEL NO.	GF1202BX (RoHS)					
1	NOMINAL SIZE	120 mm	5 inch			
2	IMPEDANCE	8 Ω ± 15%	at. 600 Hz	1 V		
3	RESONANCE FO	130 Hz ± 26 Hz	FO Hz	1 V		
4	S.P. LEVEL	91 dB/w ± 2 dB	1 W 50 cm average at			
5	FREQ. RESPONSE	Fo Hz ~ 14K Hz	MAX 10 dB	300, 400, 500, 600 Hz		
6	INPUT POWER	Nominal Input 20 W	Handling Capacity 40 W			
7	OPERATION	Must be normal at program source 20 W				
8	BUZZ, RATTLE, ETC.	Must be normal at Sine Wave 10 V				
9	MAGNET	60 x 32 x 8 mm				
10	FLUX DENSITY	Gauss ± 10%	total flux max well within			
11	TOTAL WEIGHT	gr 2.8	oz			
12	LOAD TEST	After test meets Item 7 and 8	White noise 20 W 48 Hours			
13	DISTORTION					
14	HEAT TEST	After test meets Item 7 and 8	70 ± 2° C 20-50 % R.H. 48 Hours			
15	HUMIDITY TEST	After test meet Item 7 and 8	40 ± 2° C 90-95 % R.H. 48 Hours			





TOLERANCE: ± 0.7 MM

MODEL NO. GF1202BX

APPROVED	CHECKED	DRAWING