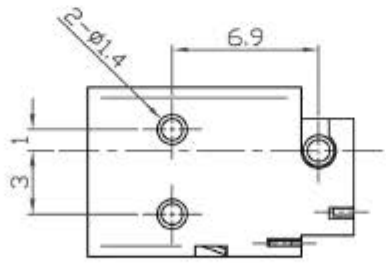
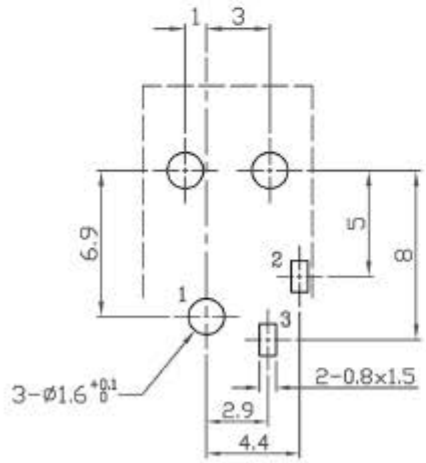
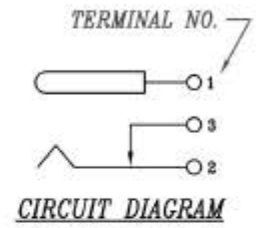
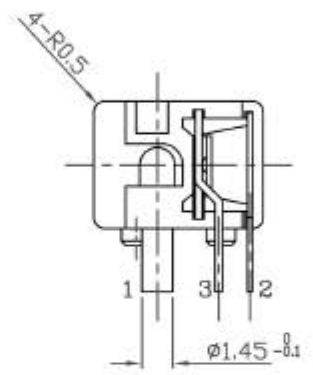
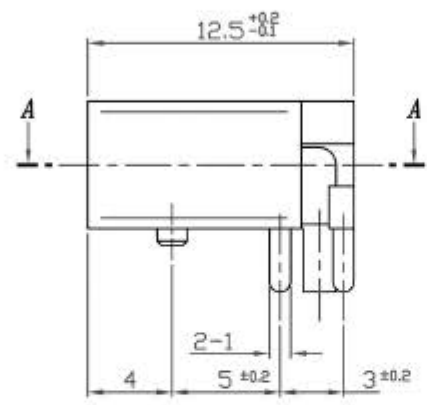
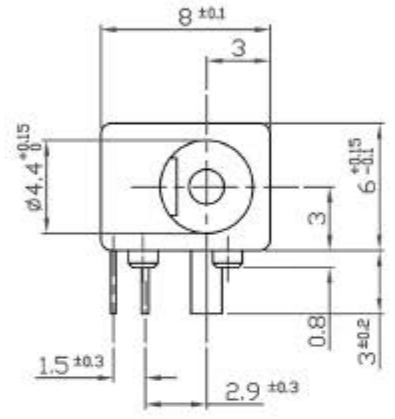
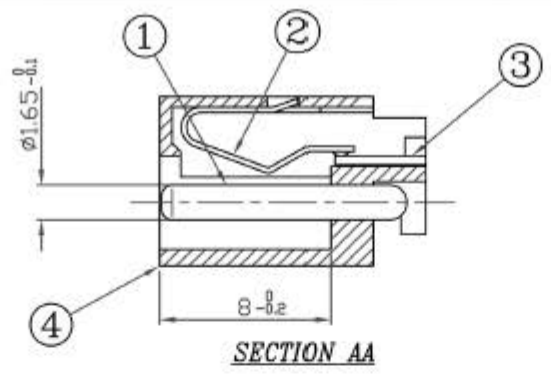


# REVISION

LTR	DESCRIPTION	DATE	APPROVED



4	JACK CASING	1	PBT/GF RESIN	BLACK
3	FIXED TERMINAL	1	BRASS 0.4t	Ag-PLATED
2	TIP SPRING	1	PBs 0.25t	Ag-PLATED
1	PIN	1	BRASS	Ag-PLATED 8u"
LET	PART NAME	QTY	MATL	RMK

**TOLERANCES**  
 $X \leq 5 = \pm 0.10$   
 $X > 5 = \pm 0.30$   
 ANGULAR =  $\pm$  ---  
 DO NOT SCALE DWG.  
 FINISHED

PART NAME <b>DC POWER JACK</b>	DWG NO. VER.1 M04-260DJ
MATL AS SHOWN IN TABLE	SCALE 3/1 mm
DATE	DRN / APPD.



PC BOARD HOLE LAYOUT TOLS:  $\pm 0.1$   
 (UPPER VIEW FROM THE DIRECTION OF INSERTION TO PCB.)

**SHOGYO INTERNATIONAL CORPORATION**