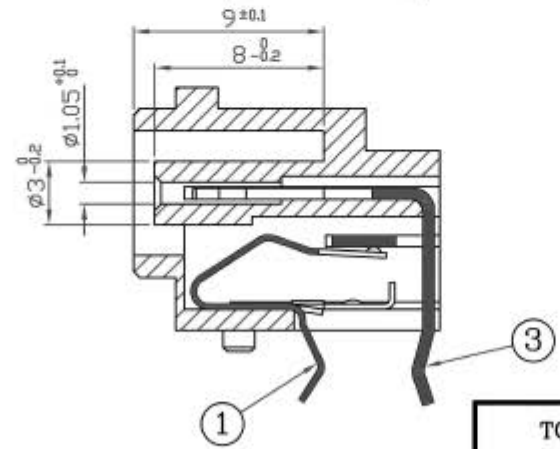
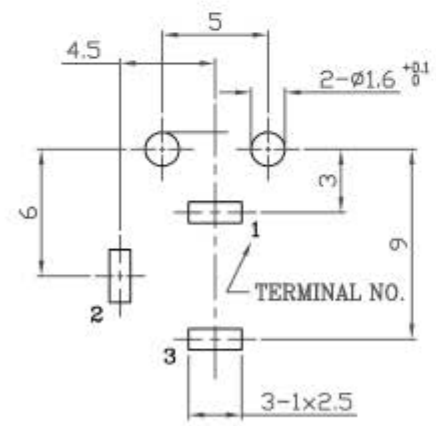
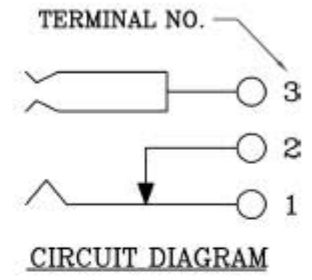
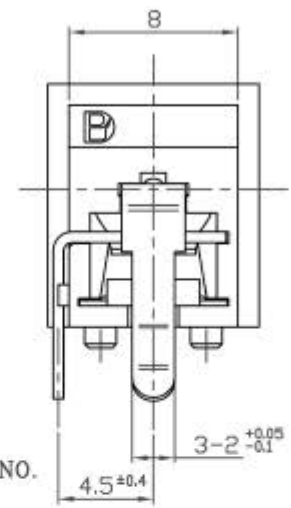
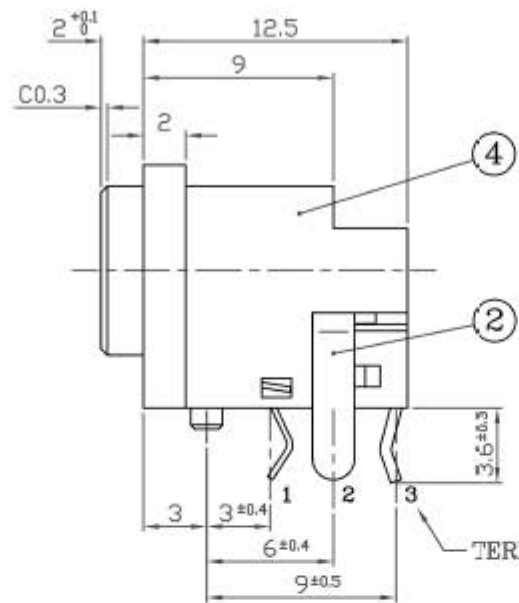
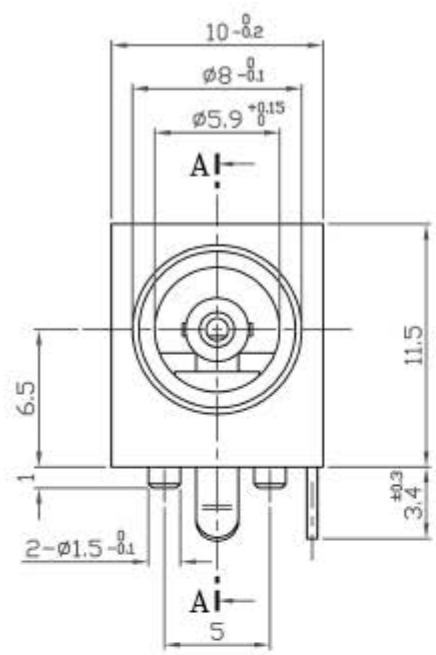


REVISION

LTR	DESCRIPTION	DATE	APPROVED



SECTION AA

**PC BOARD HOLE LAYOUT (Tols:±0.1)
(VIEW FROM DIRECTION OF INSERTION TO PCB)**

4	JACK CASING	1	PBT/GF RESIN	BLACK
3	EARTH TERMINAL	1	BRASS 0.53t	Ag-PLATED
2	FIXED TERMINAL	1	BRASS 0.5t	Ag-PLATED
1	TIP SPRING	1	COPPER ALLOY 0.25t	Ag-PLATED
LET	PART NAME	QTY	MATERIAL	REMARK

TOLERANCES	
X ≤ 5	= ± 0.10
X > 5	= ± 0.30
ANGULAR	= ± ---
DO NOT SCALE DWG.	
FINISHED	

PART NAME	DWG NO. VER.1
DC POWER JACK	M04-480DJ
MATL	SCALE
AS SHOWN IN TABLE	3/1 mm
DATE	DRN / APPD.
20-03-2009	Y.H.TSANG/ K.F.IM

SHOGYO INTERNATIONAL CORPORATION