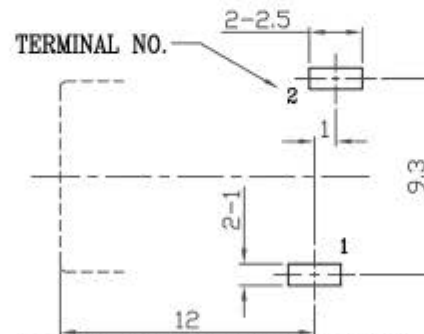
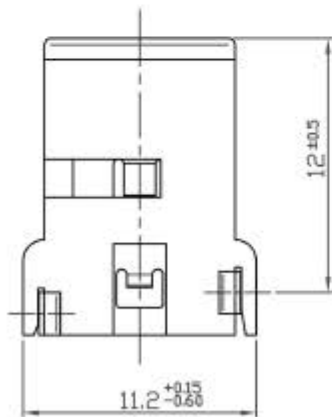
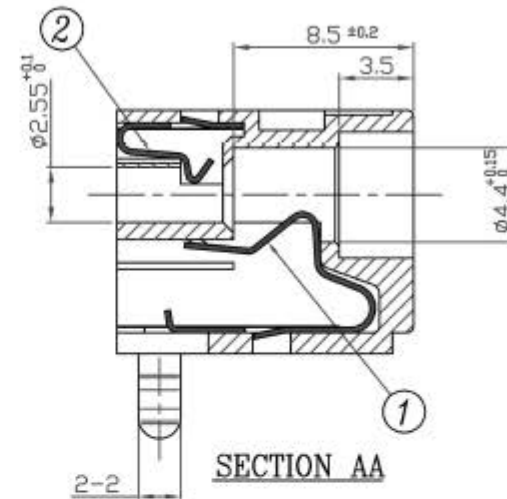
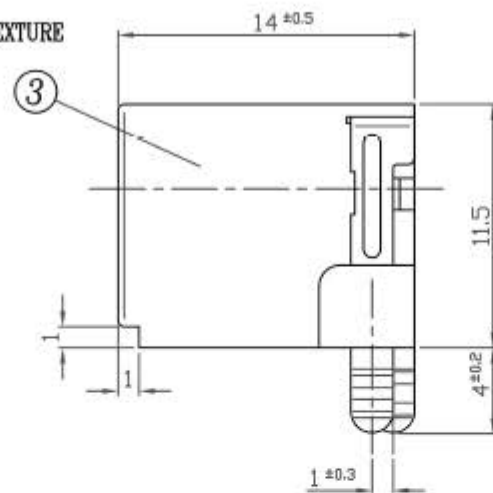
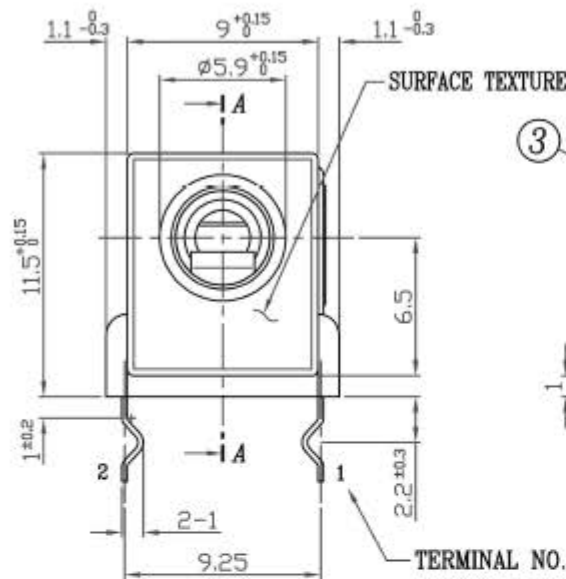
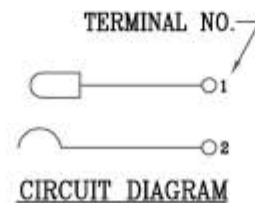


REVISION

LTR	DESCRIPTION	DATE	APPROVED



PC BOARD HOLE LAYOUT TOLS : ± 0.1
(VIEW FROM DIRECTION OF INSERTION TO PCB)



LET	PART NAME	QTY	MATERIAL	REMARK
3	JACK CASING	1	PBT RESIN UL94V-0	Black
2	TIP SPRING	1	PBS 0.25t	Ag-PLATED
1	EARTH TERMINAL	1	PBS 0.25t	Ag-PLATED

TOLERANCES	
X ≤ 5	= ± 0.10
X > 5	= ± 0.30
ANGULAR = ± ---	
DO NOT SCALE DWG.	
FINISHED	

PART NAME		DWG NO.	
DC POWER JACK		M04-510DJ	
MATL		SCALE	
AS SHOWN IN TABLE		3/1 mm	
DATE			DRN
SHOGYO INTERNATIONAL CORPORATION			