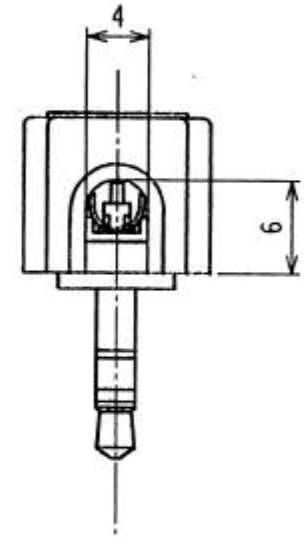
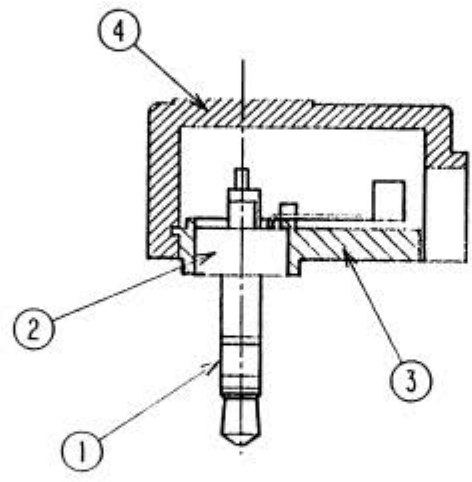
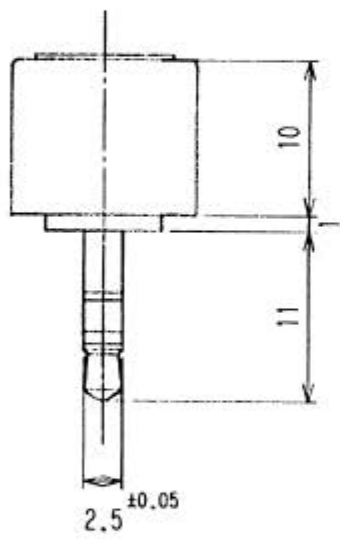
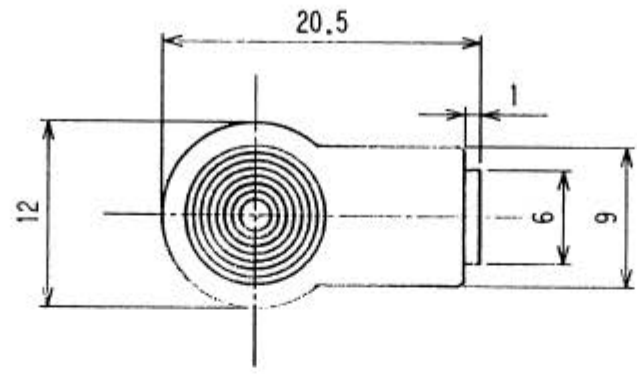


SPECIFICATION

1. DIELECTRIC STRENGTH:
500V AC FOR 1MINUTE.
2. INSULATION RESISTANCE:
100MΩ AT 500V DC.
3. CONTACT RESISTANCE:
50mΩ MAX.



TOLERANCE	SCALE	DATE	DESING	DRAW	INSPE	APRO
±0.3	2/1			N.1		

MODEL 型式	QTY	PART NAME 品名	MPO23L
MATERIAL 材質		DRAW.NO 図番	

LET	PART NAME	MATERIAL	QTY	FINISH	NOTE
4	CAP	PP	1		
3	BASE	PC	1		
2	RING	BRASS	1	NI	
1	PLUG		1		

SHOGYO INTERNATIONAL CORPORATION