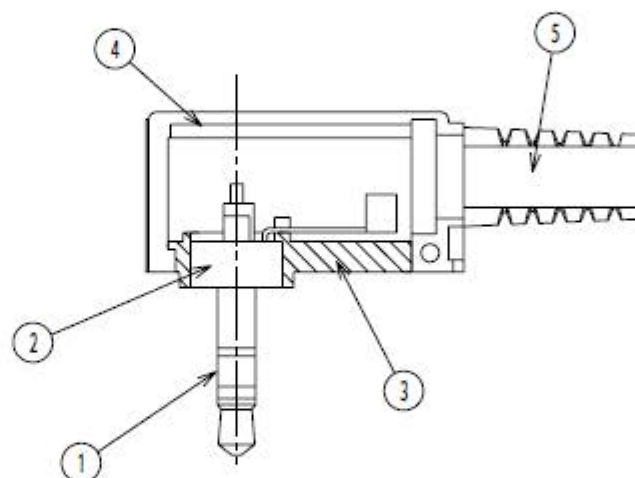
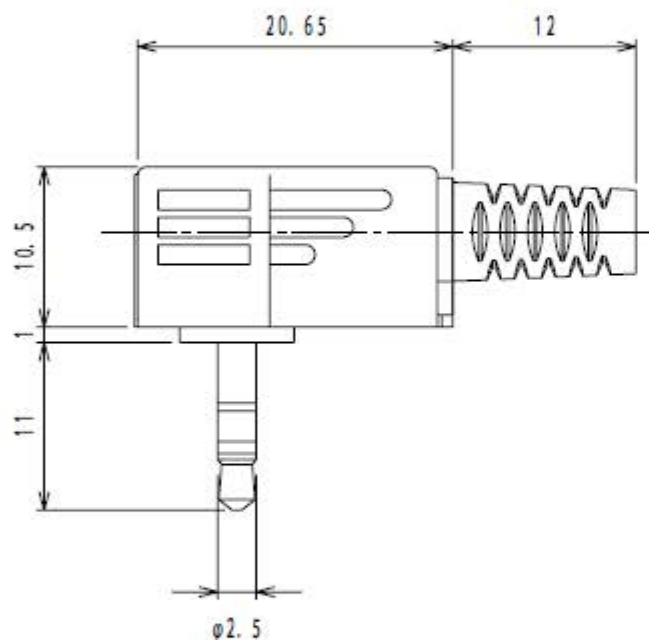


仕様
SPECIFICATION

耐電圧 : AC500V 1分間
DIELECTRIC STRENGTH:500V AC FOR ONE MINUTE.
接触抵抗 : 50mΩ以下
CONTACT RESISTANCE:50mΩ MAX
絶縁抵抗 : DC500Vにて100MΩ以上
INSULATION RESISTANCE:100MΩ MIN. AT 500V DC.



TOLERANCE	SCALE	DATE	DESING	DRAW	INSPE	APRO
±0.3	2/1	080901		N. I		

5	CABLE PROTECTOR	PVC	1			MODEL	QTY	PART NAME	No. MP-023LN
4	CAP	PP	1			型式		品名	
3	BASE	PC	1			MATERIAL		DRAW. NO	MP023LN
2	RING	BRASS	1	Ni		材質		図番	
1	PLUG		1	Ni		FINISH		SHOGYO INTERNATIONAL CORPORATION	
LET	PART NAME	MATERIAL	QTY	FINISH	NOTE	処理			