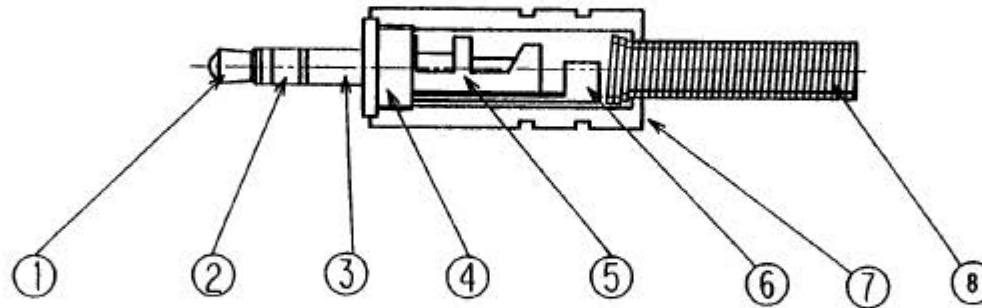
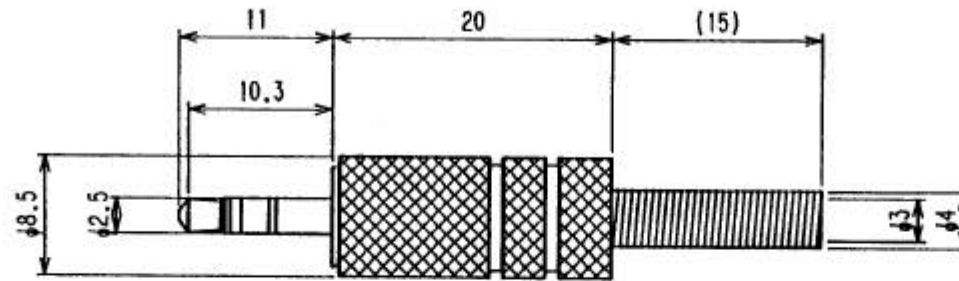


NOTE:

Rating: 34 VAC/DC 0.5A
 Insulation Resistance: 100 Megaohm
 min. @500 VDC.
 Dielectric Strength: 500 VAC for one
 minute.



| | | | | | | | | | | | | | |
|-----|--------------|----------|-----|--------|------|-----------|-------|----------------------------------|--------|-----------|--------|------|--|
| 8 | Spring | SWPA | 1 | NI | | TOLERANCE | SCALE | DATE | DESING | DRAW | INSPE | APRO | |
| 7 | Cap | Brass | 1 | NI | | ±0.5 | 2/1 | | | N. I | | | |
| 6 | Terminal | Brass | 1 | NI | | | | | | | | | |
| 5 | Insulator | POM | 1 | | | | | MODEL | QTY | PART NAME | MP026L | | |
| 4 | Screw Thread | Brass | 1 | NI | | 型式 | | 品名 | | | | | |
| 3 | Sleeve B | Brass | 1 | NI | | MATERIAL | | | | DRAW. NO | | | |
| 2 | Sleeve A | Brass | 1 | | | 材質 | | | | 図番 | | | |
| 1 | Tip | Brass | 1 | NI | | FINISH | | | | | | | |
| LET | PART NAME | MATERIAL | QTY | FINISH | NOTE | 処理 | | SHOGYO INTERNATIONAL CORPORATION | | | | | |