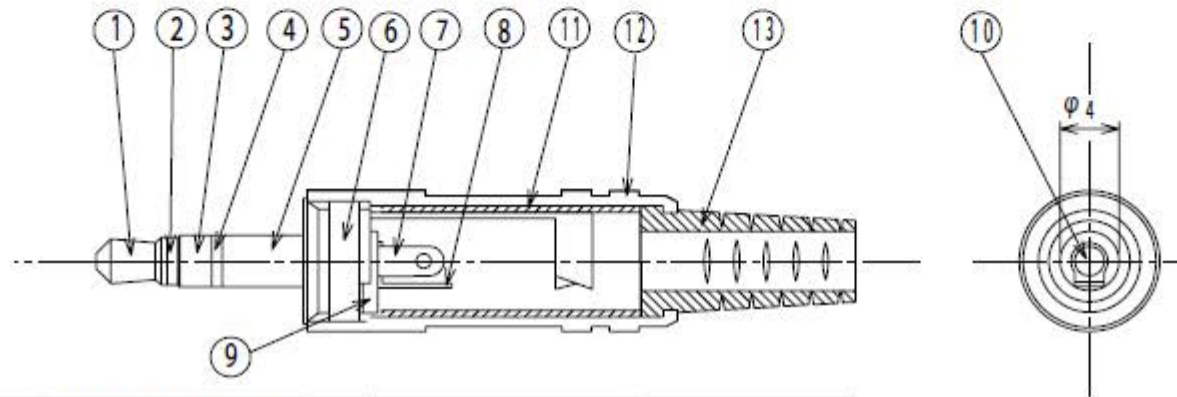


仕様
SPECIFICATION

耐電圧 : AC500V 1分間
DIELECTRIC STRENGTH:500V AC FOR ONE MINUTE.
接触抵抗 : 50mΩ以下
CONTACT RESISTANCE:50mΩ MAX
絶縁抵抗 : DC500Vにて100MΩ以上
INSULATION RESISTANCE:100MΩ MIN. AT 500V DC.



13	CABLE PROTECTOR	1	PVC	
12	CAP	1	BSBM	NI
11	INSULATOR D	1	PVC	
10	PIN	1	STEEL	NI
9	INSULATOR C	1	POLYCARBONATE	
8	TERMINAL A	1	BSR	NI
7	TERMINAL B	1	BSR	NI
6	BODY	1	ABS RESIN	
5	CONTACT C	1	BSR	NI
4	INSULATOR B	1	EBONITE	
3	CONTACT B	1	BSR	NI
2	INSULATOR A	1	POM	
1	CONTACT A	1	BSBM	NI
No	PART NAME	QTY	MATERIAL	FINISH

TOLERANCE	SCALE	DATE	DESING	DRAW	INSPE	APRO
±0.3	2/1	010609		N. 1		
MODEL 型式			QTY	PART NAME 品名		No. MP-060M
MATERIAL 材質				DRAW. NO 図番		MP060M
FINISH 処理			SHOGYO INTERNATIONAL CORPORATION			