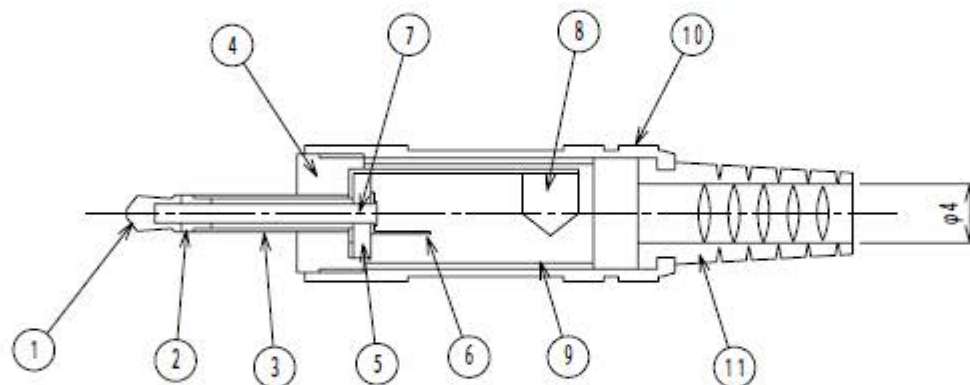


仕様
SPECIFICATION

1. 絶縁抵抗 : DC 100Vにて100MΩ以上
INSULATION RESISTANCE: 100MΩ MIN. AT DC 100V.
2. 耐電圧 : AC 500V 1分間
DIELECTRIC STRENGTH: AC 500V FOR ONE MINUTE.
3. 接触抵抗 : 50mΩ以下
CONTACT RESISTANCE: 50mΩ MAX.



| | | | | | | | | | | | | | | | |
|-----|-------------------------|----------|-----|--------|------|-----------|-------|----------|----------------------------------|-------------|-------|------|--|--|--|
| 11 | CABLE PROTECTOR コードブッシュ | PVC | 1 | | | | | | | | | | | | |
| 10 | CAP キャップ | BRASS | 1 | NI | | | | | | | | | | | |
| 9 | INSULATOR C 絶縁チューブ | PVC | 1 | | | | | | | | | | | | |
| 8 | SLEEVE TERMINAL スリーブラケ | BRASS | 1 | NI | | TOLERANCE | SCALE | DATE | DESING | DRAW | INSPE | APRO | | | |
| 7 | TIP PIN シャフト | BRASS | 1 | NI | | ±0.3 | 2/1 | 98/10/19 | | N. I | | | | | |
| 6 | TIP TERMINAL チップラケ | BRASS | 1 | NI | | | | | | | | | | | |
| 5 | INSULATOR B 絶縁ワッシャー | PF | 1 | | | MODEL | | QTY | PART NAME | No. MP-101C | | | | | |
| 4 | METAL メタル | BRASS | 1 | NI | | 型式 | | | 品名 | | | | | | |
| 3 | SLEEVE スリーブ | BRASS | 1 | NI | | MATERIAL | | | | DRAW. NO | | | | | |
| 2 | INSULATOR A 絶縁カラー | PPO | 1 | | | 材質 | | | | 図番 | | | | | |
| 1 | TIP チップ | BRASS | 1 | NI | | FINISH | | | | | | | | | |
| LET | PART NAME | MATERIAL | QTY | FINISH | NOTE | 処理 | | | SHOGYO INTERNATIONAL CORPORATION | | | | | | |