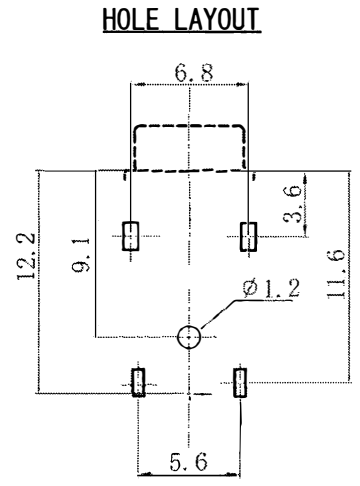
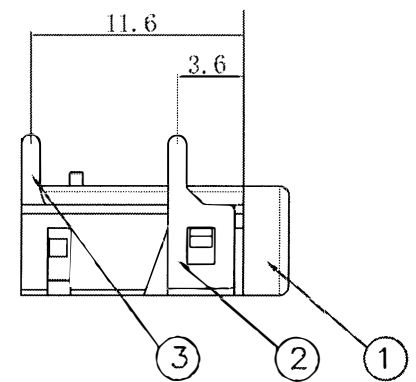
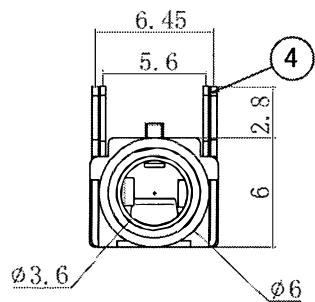
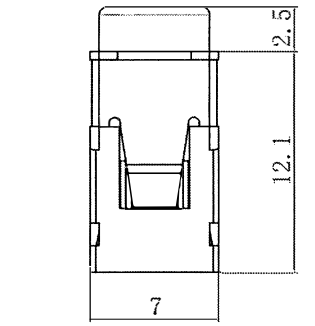
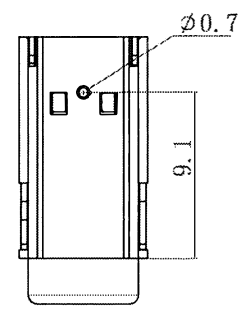
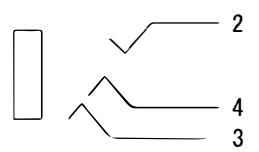


**SPECIFICATIONS:**

Withstanding Voltage: 500VAC for 1 Minute  
 Insulation Resistance: 100MΩ (min.) at 500VDC  
 Contact Resistance: 100mΩ (max.)  
 Life Test: 5000 Cycles



SCHEMATIC



4	TERMINAL C	1	PBS	AG PLATED
3	TERMINAL B	1	PBS	AG PLATED
2	TERMINAL A	1	PBS	AG PLATED
1	BODY	1	NYLON	BLACK
No.	PART NAME	QTY	MATERIAL	FINISH

PART NAME	3.5mm 3P SOCKET
PART NO	MX-387GL-C
<b>SHOGYO INTERNATIONAL CORP.</b>	

