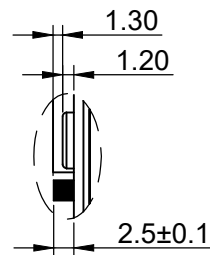
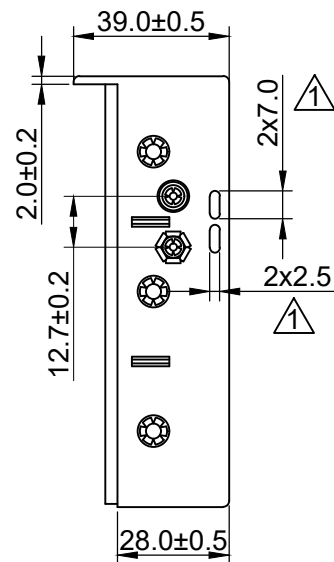
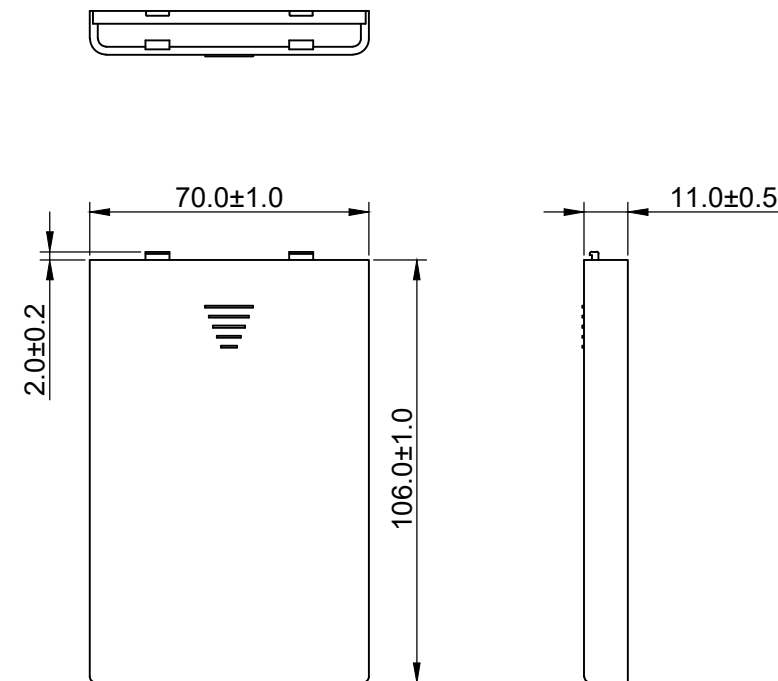


BOTTOM



POLARITY PROTECTION DEVICE  
DETAIL "A" S=2



COVER

SPECIFICATION

- (1) ITEM NO. : SBH-131B6
- (2) WITH 6 PRONG SNAP TERMINAL, BRASS NICKEL PLATED
- (3) HOLDER MATERIAL: ABS RESIN, BLACK COLOR
- (4) SPRING MATERIAL:  $\phi 0.9$ MM SPRING STEEL NICKEL PLATED
- (5) RIVET MATERIAL: BRASS NICKEL PLATED
- (6) RoHS COMPLIANT

2			<b>SHOGYO</b>				
	Changed wire outlet from round to square	Sep/17/12	NAME	BATTERY HOLDER: SBH-131B6			
NO.	MODIFICATION	DATE	SCALE	1:2	APPD		
General Tolerances			UNIT	MM	CHKD		
0 ~ >3	± 0.10	30 ~ >120	± 0.30	MAT'L	SEE SPEC.	DWN	
3 ~ >6	± 0.10	120 ~ >400	± 0.50		DATE	JUN. 30. 2022	DR NO
6 ~ >30	± 0.20	Angle: ± 3°					S131B-0622