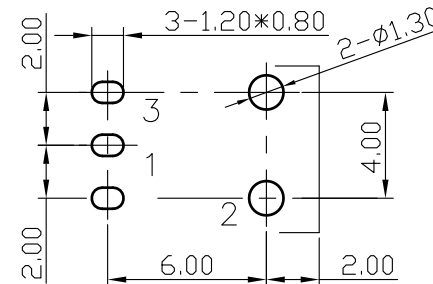
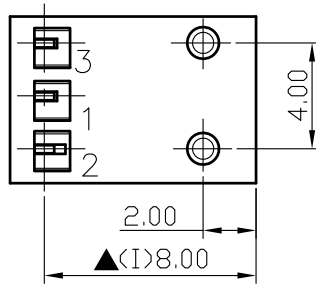
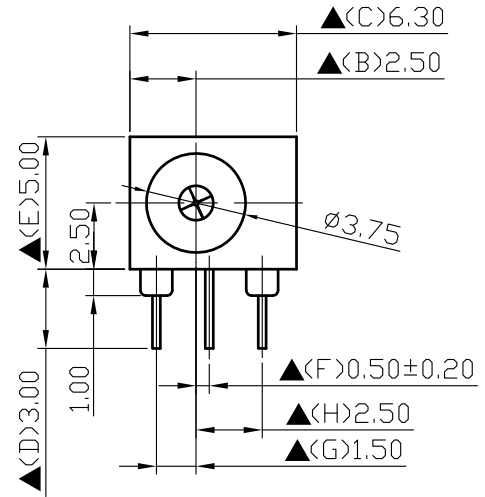
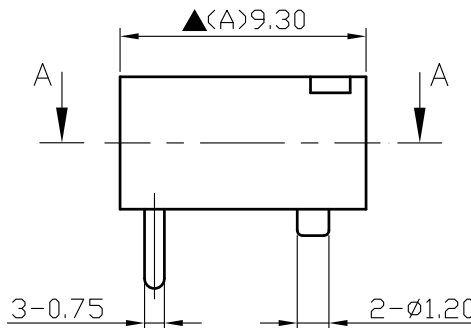
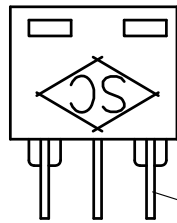
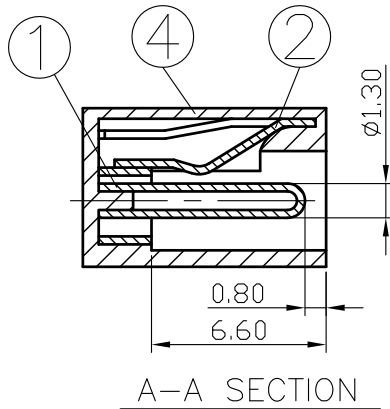
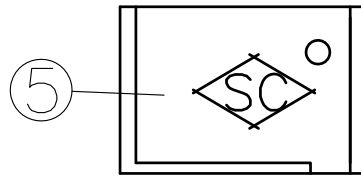


SCHEMATIC		
MODEL NO	C	



NO.	Description	Material	Q'TY	Finish
5.	Cover	PBT+30%	1	Black Color
4.	Housing	PBT+30%	1	Black Color
3.	Pin Terminal	0.3T Brass	1	Silver Plated
2.	Sleeve Spring	0.3T Beryllium	1	Silver Plated
1.	Pin(1.3φ)	0.3T Brass	1	Silver Plated

For Redference
僅供參考

RoHS&SVHC
Compliant

SHOGYO	DATE	DWN	CHKD	APVD	MANAGER
	09.22.2021	王平華			

PART NAME : DC POWER JACK	PART NUMBER: SCD410ACS000B00G	VERSION: 10.0
---------------------------	-------------------------------	---------------

TOLERANCE :±0.3mm UNLESS OTHERWISE SPECIFIED	UNIT:mm	SCALE:1/1
--	---------	-----------

SPECIFICATIONS:
 Contact Resistance : 30m Ωmax
 Current Rating : Max 5A , 24V DC
 Insulation Resistance : 100MΩ min. at DC 500V
 Dielectric Withstanding Voltage: AC 500V for one minute
 Remark: ▲: The Most Important Dimension