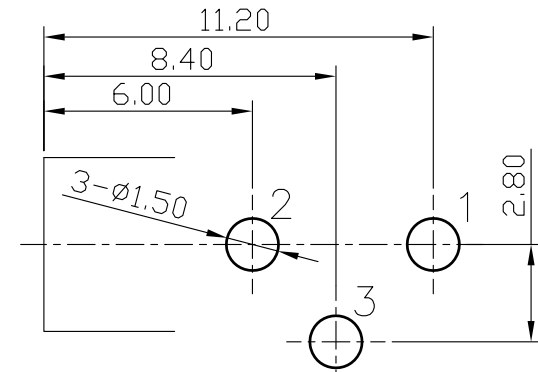
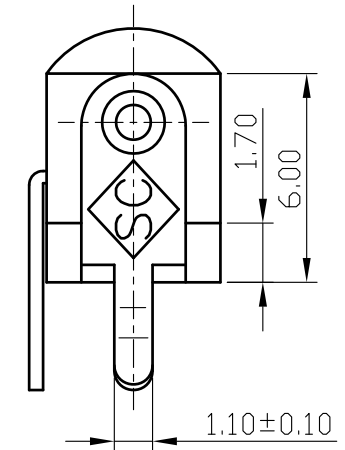
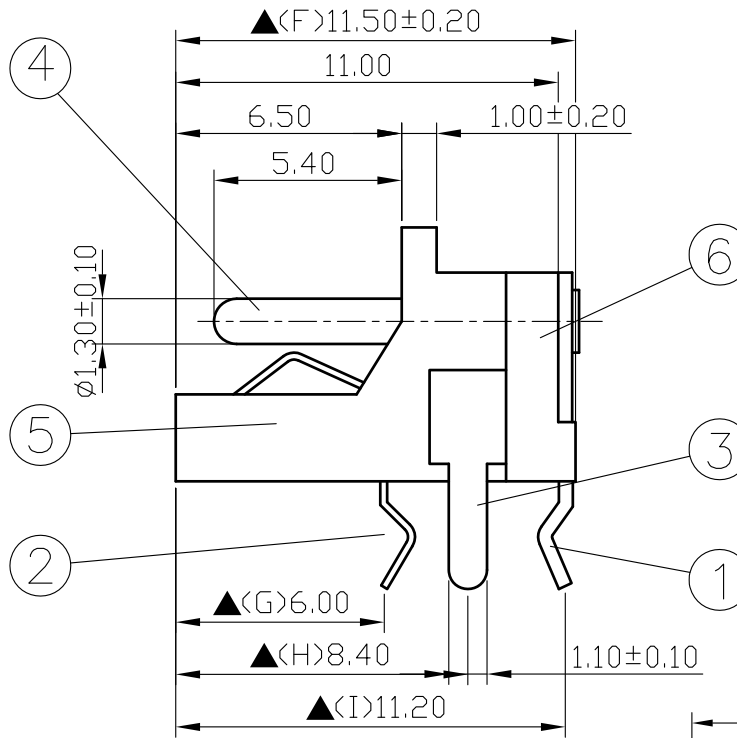
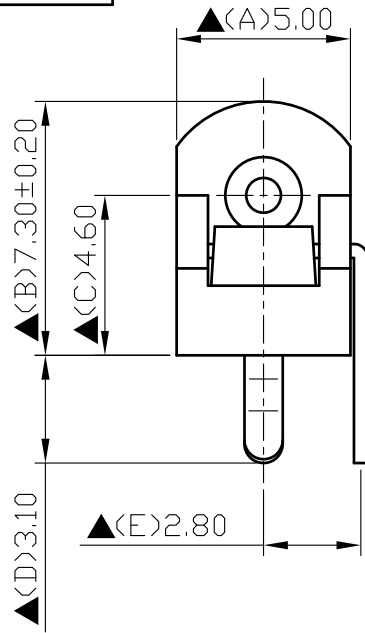


SCHEMATIC	
	MODEL NO C



6.	Cover	PBT+15%	1	Black Color
5.	Housing	PBT+30%	1	Black Color
4.	Pin(1.3φ)	Copper	1	Nickel Plated
3.	Break Terminal	0.4T Brass	1	Silver Plated
2.	Sleeve Spring	0.2T Phosphor Bronze	1	Silver Plated
1.	Pin Terminal	0.4T Brass	1	Silver Plated
NO.	Description	Material	Q' TY	Finish

SHOGYO

DATE	DWN	CHKD	APVD	MANAGER
10.22.2021	王平華			

Pin Hole Layout
(Jack Bottom View)

For Redference
僅供參考

RoHS&SVHC
Compliant

PART NAME : DC POWER JACK

PART NUMBER: SCD415ACS003B00G

VERSION:9.0

TOLERANCE :±0.3mm UNLESS OTHERWISE SPECIFIED

UNIT:mm

SCALE:1/1

SPECIFICATIONS:

Contact Resistance : 30mΩ max
 Current Rating : Max 5A , 24V DC
 Insulation Resistance : 100MΩ min. at DC 500V
 Dielectric Withstanding Voltage: AC 500V for one minute
 Remark: ▲: The Most Important Dimension