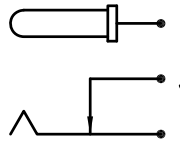
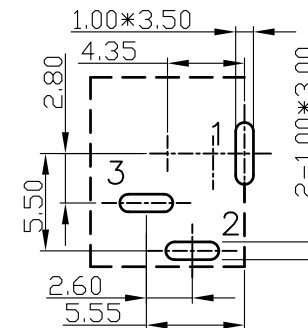
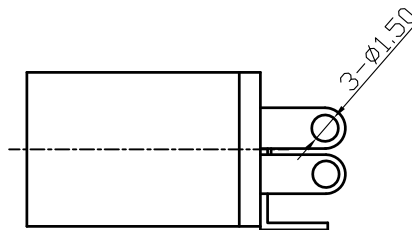
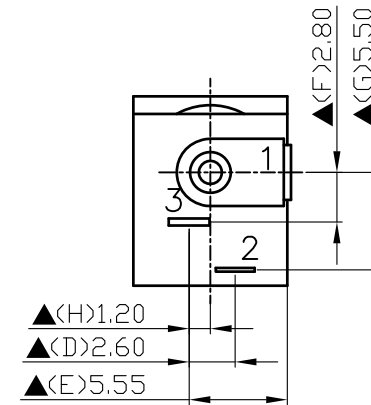
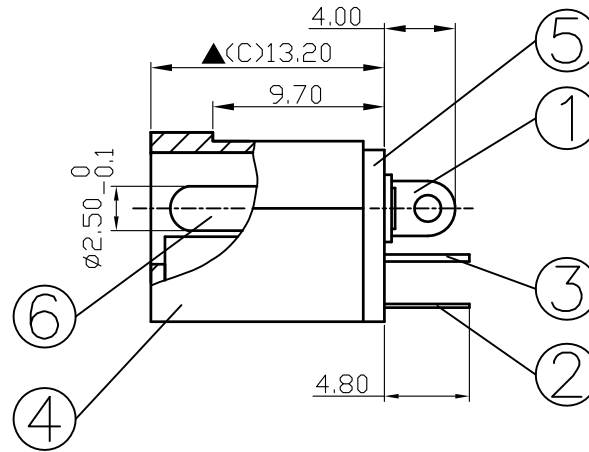
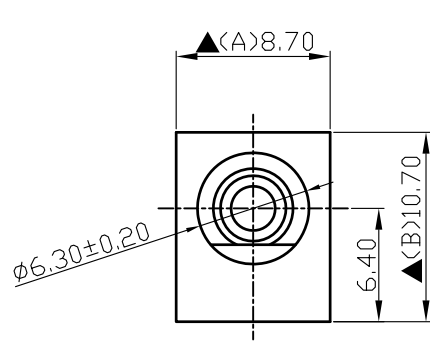
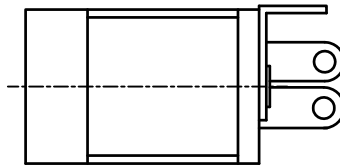


SCHEMATIC	
MODEL NO	C



6.	Pin(2.5 ϕ)	Brass	1	Nickel Plated
5.	Cover	Bakelite	1	Black Color
4.	Housing	PBT+15%	1	Black Color
3.	Break Terminal	0.4T Brass	1	Silver Plated
2.	Sleeve Spring	0.2T Phosphor Bronze	1	Silver Plated
1.	Pin Terminal	0.4T Brass	1	Silver Plated
NO.	Description	Material	Q'TY	Finish

SHOGYO

DATE	DWN	CHKD	APVD	MANAGER
09.23.2021	王平華			

PART NAME :DC POWER JACK

PART NUMBER: SCD435DCS000B00G

VERSION:10.0

TOLERANCE : ± 0.3 mm UNLESS OTHERWISE SPECIFIED

UNIT:mm



SCALE:1/1

SPECIFICATIONS:

Contact Resistance : 30m Ω max
 Current Rating : Max 5.0A , 24V DC
 Insulation Resistance : 100M Ω min. at DC 500V
 Dielectric Withstanding Voltage: AC 500V for one minute
 Remark: ▲ : The Most Important Dimension

For Redference
僅供參考

RoHS&SVHC
Compliant