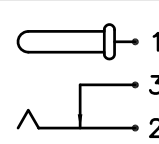
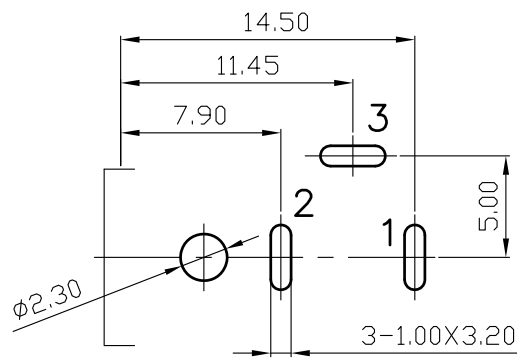
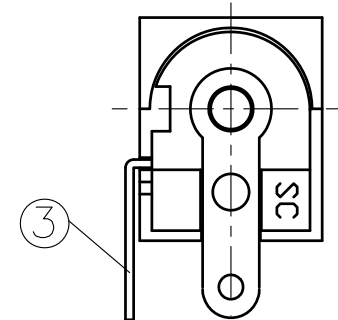
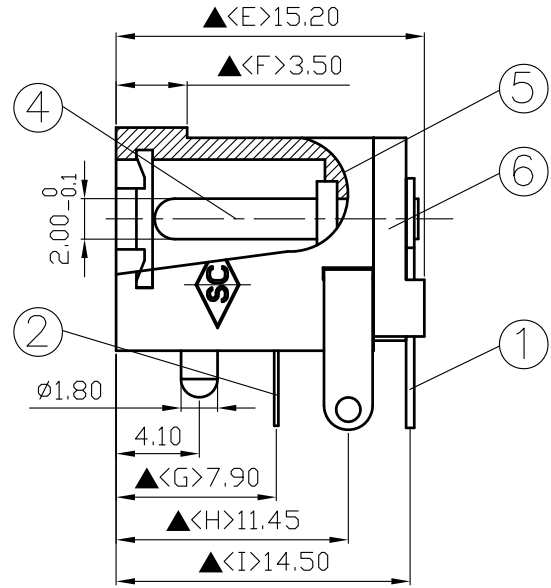
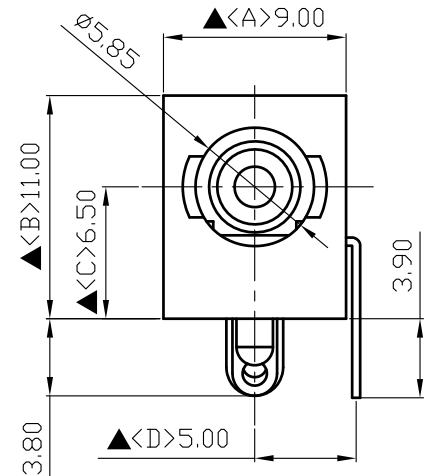



SCHEMATIC	
MODEL NO	C



6.	Cover	PBT+30%	1	Black Color
5.	Housing	PBT+30%	1	Black Color
4.	Pin(2.0 ϕ)	Brass	1	Nickel Plated
3.	Break Terminal	0.4T Brass	1	Silver Plated
2.	Sleeve Spring	0.2T Phosphor Bronze	1	Silver Plated
1.	Pin Terminal	0.4T Brass	1	Silver Plated
NO.	Description	Material	Q'TY	Finish

SHIGYO	DATE	DWN	CHKD	APVD	MANAGER
	09.29.2021	王平華			

PART NAME : DC POWER JACK	PART NUMBER:SCD443CCS011B00G	VERSION:8.0
TOLERANCE : ± 0.3 mm UNLESS OTHERWISE SPECIFIED	UNIT:mm 	SCALE:

For Redference
僅供參考

RoHS&SVHC
Compliant

SPECIFICATIONS:
 Contact Resistance : 30m Ω max
 Current Rating : Max 5.0A , 24V DC
 Insulation Resistance : 100M Ω min. at DC 500V
 Dielectric Withstanding Voltage: AC 500V for one minute
 Remark: ▲ : The Most Important Dimension