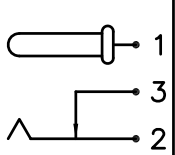
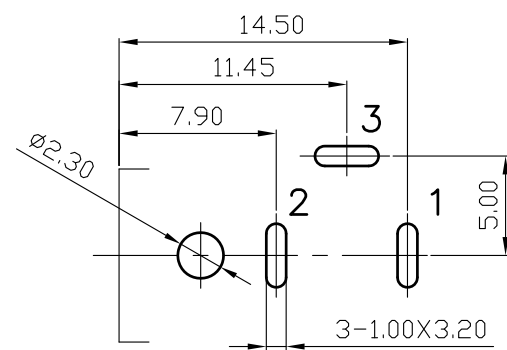
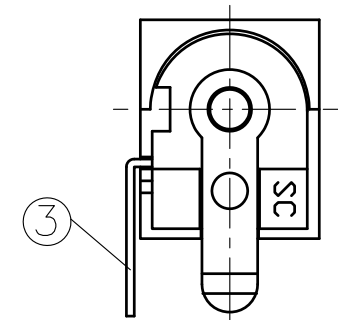
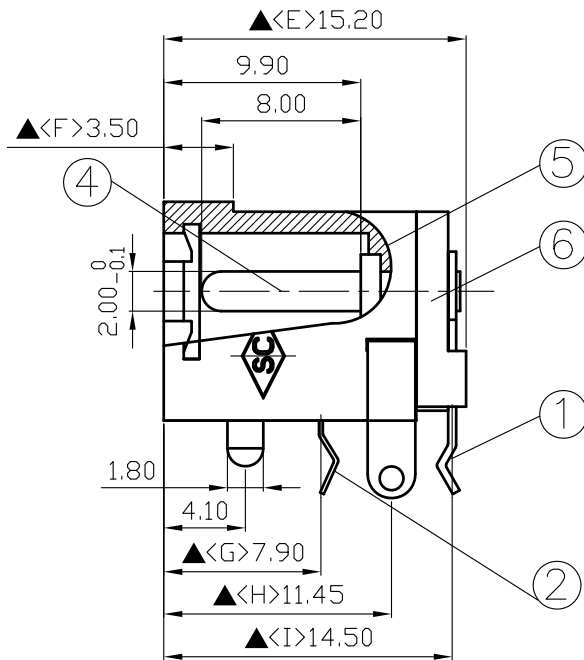
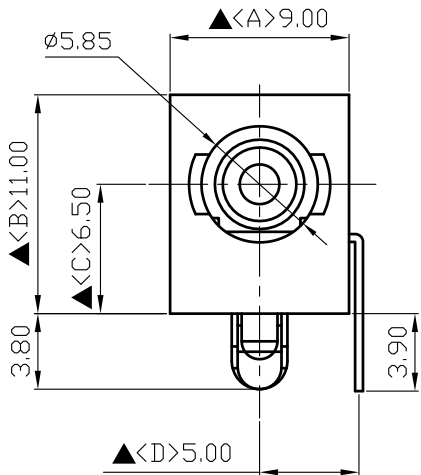


SCHEMATIC	
MODEL NO	C



6.	Cover	PBT+30%	1	Black Color
5.	Housing	PBT+30%	1	Black Color
4.	Pin(2.0 $\phi$ )	Brass	1	Nickel Plated
3.	Break Terminal	0.4T Brass	1	Silver Plated
2.	Sleeve Spring	0.2T Phosphor Bronze	1	Silver Plated
1.	Pin Terminal	0.4T Brass	1	Silver Plated
NO.	Description	Material	Q'TY	Finish

Pin Hole Layout  
(Jack Bottom View)

For Redference  
僅供參考

RoHS&SVHC  
Compliant



DATE	DWN	CHKD	APVD	MANAGER
09.29.2021	王平華			

PART NAME:DC POWER JACK    PART NUMBER:SCD443CCS013B00G    VERSION:7.0

TOLERANCE:±0.3mm UNLESS OTHERWISE SPECIFIED    UNIT:mm        SCALE:1/1

SPECIFICATIONS:  
 Contact Resistance : 30m $\Omega$  max  
 Current Rating : Max 5.0A , 24V DC  
 Insulation Resistance : 100M $\Omega$  min. at DC 500V  
 Dielectric Withstand Voltage : AC 500V for one minute  
 Remark: ▲: The Most Important Dimension