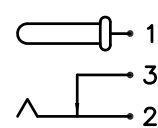
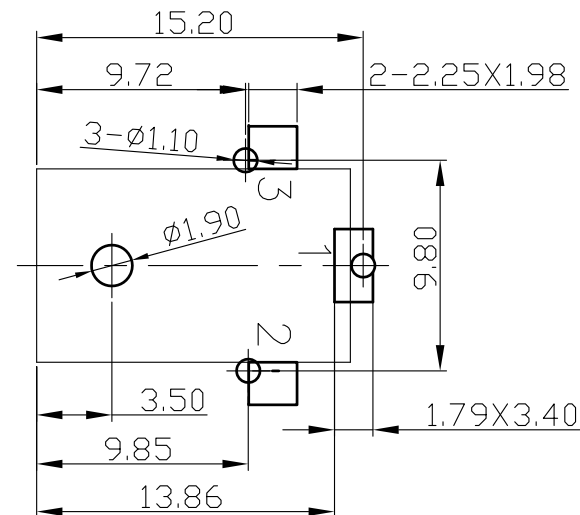
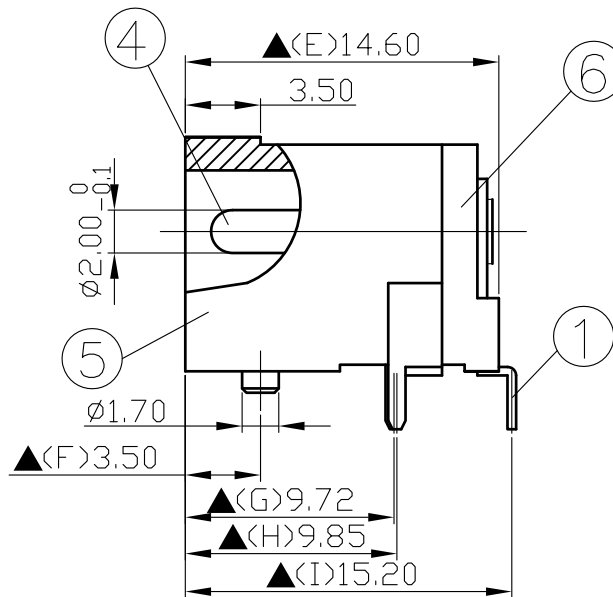
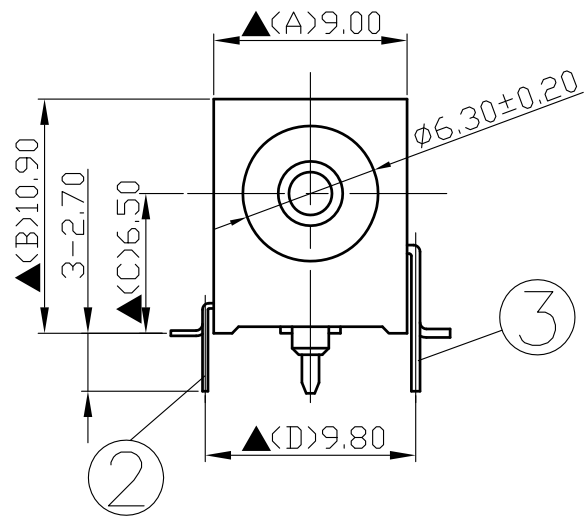


SCHEMATIC	
MODEL NO	C



Pin Hole Layout  
(Jack Bottom View)

6.	Cover	PA9T	1	Black Color
5.	Housing	PA9T	1	Black Color
4.	Pin(2.0 $\phi$ )	Brass	1	Nickel Plated
3.	Break Terminal	0.4T Brass	1	Silver Plated
2.	Sleeve Spring	0.25T Phosphor Bronze	1	Silver Plated
1.	Pin Terminal	0.4T Brass	1	Silver Plated
NO.	Description	Material	Q'TY	Finish

For Redference  
僅供參考

RoHS&SVHC  
Compliant

**SHOGYO**

DATE	DWN	CHKD	APVD	MANAGER
09.30.2021	王平華			

PART NAME : DC POWER JACK

PART NUMBER:SCD445CCS000B00G

VERSION:7.0

TOLERANCE : $\pm 0.3$ mm UNLESS OTHERWISE SPECIFIED

UNIT:mm  

SCALE:/

SPECIFICATIONS:

Contact Resistance : 30m $\Omega$  max  
Current Rating : Max 5.0A , 24V DC  
Insulation Resistance : 100M $\Omega$  min. at DC 500V  
Dielectric Withstand Voltage : AC 500V for one minute  
Remark: ▲: The Most Important Dimension