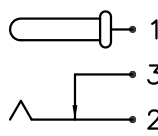
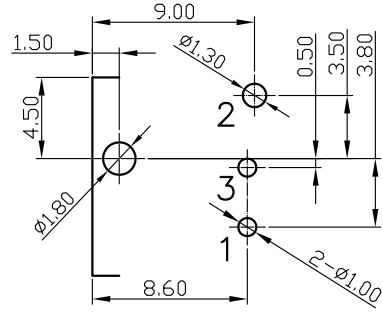
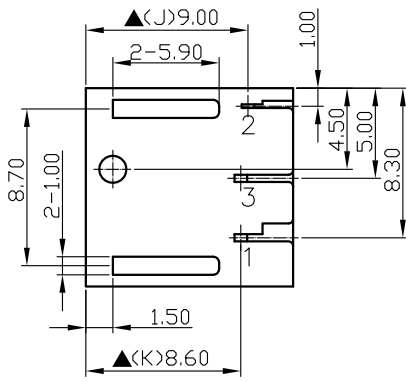
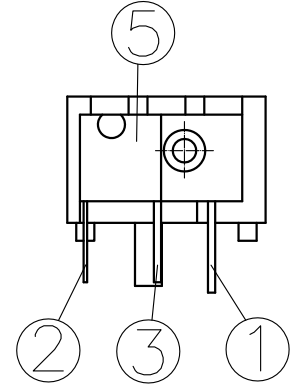
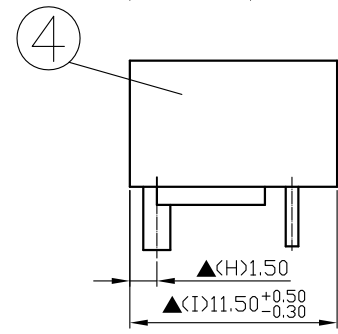
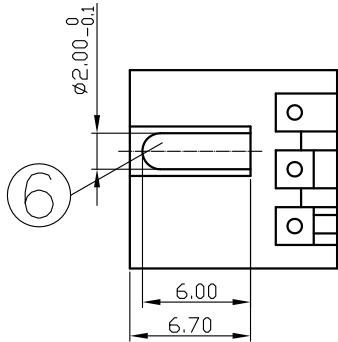
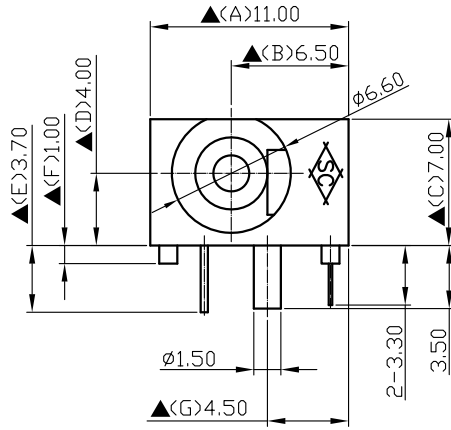


SCHEMATIC	
MODEL NO	C



Pin Hole Layout
(Jack Bottom View)

6.	Pin(2.0φ)	Copper	1	Nickel Plated
5.	Cover	PBT+15%	1	Black Color
4.	Housing	PBT+30%	1	Black Color
3.	Break Terminal	0.4T Brass	1	Silver Plated
2.	Sleeve Spring	0.2T YcuT	1	Silver Plated
1.	Pin Terminal	0.4T Brass	1	Silver Plated
NO.	Description	Material	Q' TY	Finish

SHOGYO	DATE	DWN	CHKD	APVD	MANAGER
	09.30.2021	王平華			

PART NAME : DC POWER JACK	PART NUMBER:SCD447CCS000B00G	VERSION:7.0
TOLERANCE :±0.3mm UNLESS OTHERWISE SPECIFIED		SCALE:1/1

SPECIFICATIONS:
 Contact Resistance : 30mΩ max
 Current Rating : Max 5.0A , 24V DC
 Insulation Resistance : 100MΩ min. at DC 500V
 Dielectric Withstanding Voltage: AC 500V for one minute
 Remark: ▲ : The Most Important Dimension

For Reference
僅供參考

RoHS&SVHC
Compliant