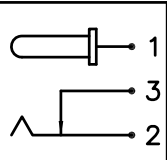
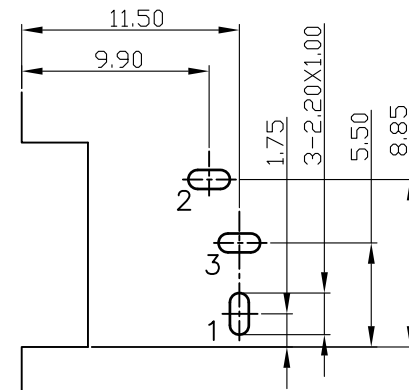
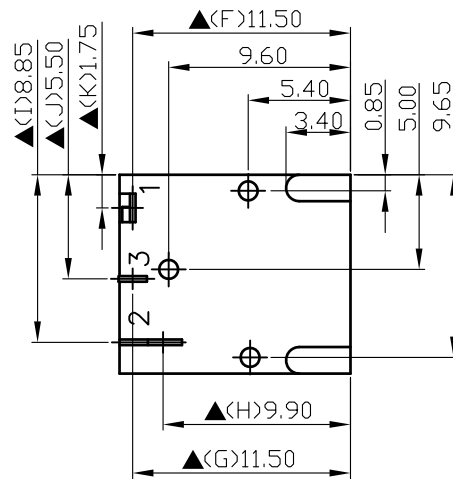
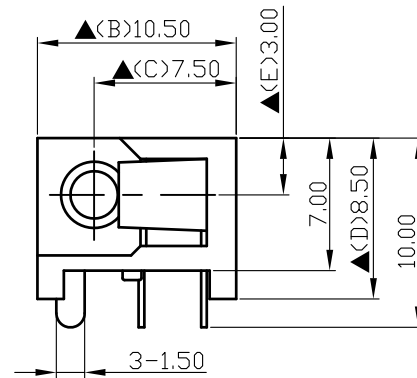
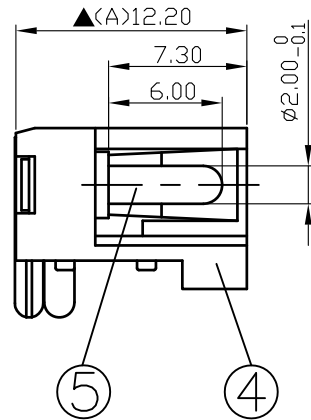
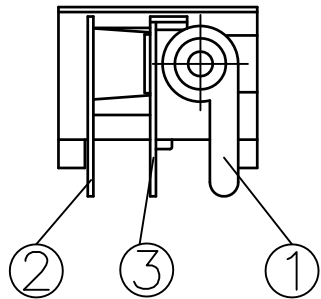


SCHEMATIC	
MODEL NO	C



Pin Hole Layout
(Jack Bottom View)

5.	Pin(2.0 ϕ)	Copper	1	Nickel Plated
4.	Housing	PBT+30%	1	Black color
3.	Break Terminal	0.4T Brass	1	Silver Plated
2.	Sleeve Spring	0.3T Phosphor Bronze	1	Silver Plated
1.	Pin Terminal	0.3T Brass	1	Silver Plated
NO.	Description	Material	Q'TY	Finish

SHOGYO

DATE	DWN	CHKD	APVD	MANAGER
10.06.2021	王平華			

For Redference
僅供參考

RoHS&SVHC
Compliant

PART NAME : DC POWER JACK

PART NUMBER: SCD450CCS000B00G

VERSION:8.0

TOLERANCE : ± 0.3 mm UNLESS OTHERWISE SPECIFIED

UNIT:mm



SCALE:1/1

SPECIFICATIONS:

Contact Resistance : 30m Ω max
 Current Rating : Max 5.0A , 24V DC
 Insulation Resistance : 100M Ω min. at DC 500V
 Dielectric Withstanding Voltage: AC 500V for one minute
 Remark: \blacktriangle : The Most Important Dimension