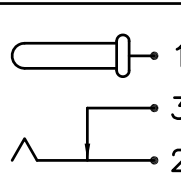
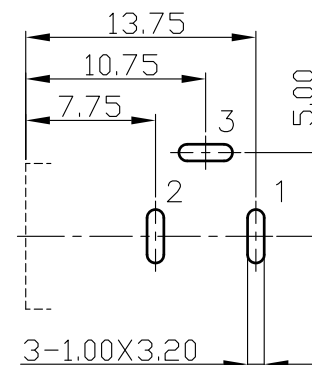
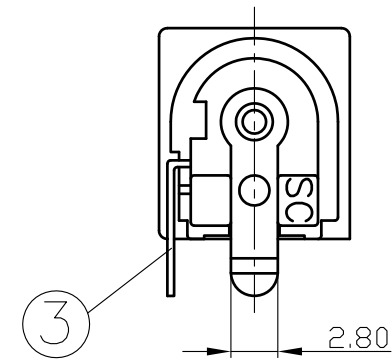
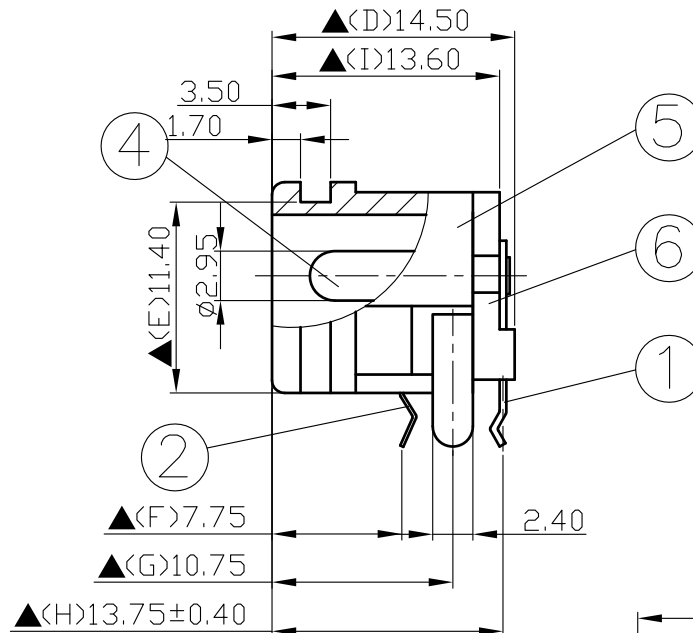
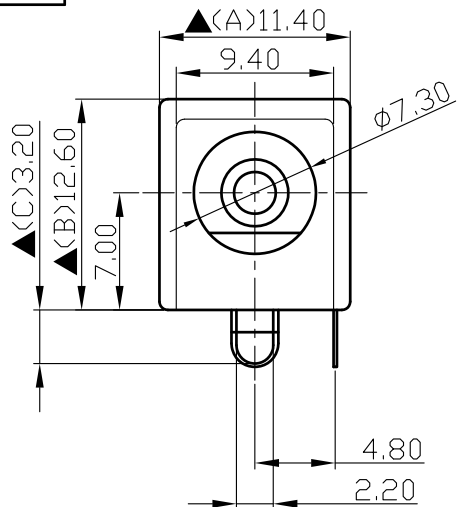


SCHEMATIC	
MODEL NO	C



NO.	Description	Material	Q'TY	Finish
6.	Cover	PBT+30%	1	Black Color
5.	Housing	PBT+15%	1	Black Color
4.	Pin(2.95)	Low Lead Brass Rod	1	Nickel Plated
3.	Break Terminal	0.4T Brass	1	Silver Plated
2.	Sleeve Spring	0.2T Phosphor Bronze	1	Silver Plated
1.	Pin Terminal	0.4T Brass	1	Silver Plated

SHOGYO

DATE	DWN	CHKD	APVD	MANAGER
10.21.2021	王平華			

PART NAME :DC POWER JACK	PART NUMBER:SCD452GCS003B00L	VERSION:2.0
TOLERANCE :±0.3mm UNLESS OTHERWISE SPECIFIED		SCALE:1/1

SPECIFICATIONS:
 Contact Resistance : 30mΩ max
 Current Rating : Max 5.0A , 24V DC
 Insulation Resistance : 100MΩ min. at DC 500V
 Dielectric Withstanding Voltage: AC 500V for one minute
 Remark: ▲ : The Most Important Dimension

For Reference
 僅供參考
**RoHS&SVHC
 Compliant**