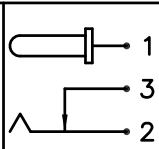
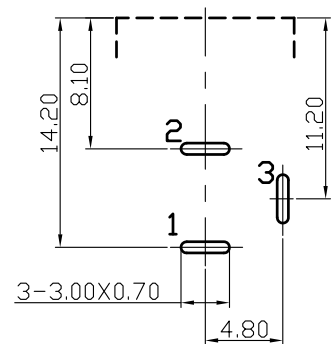
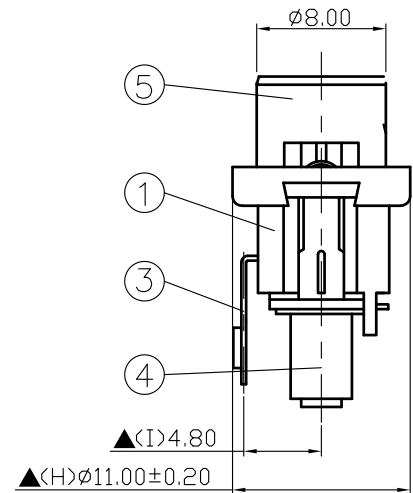
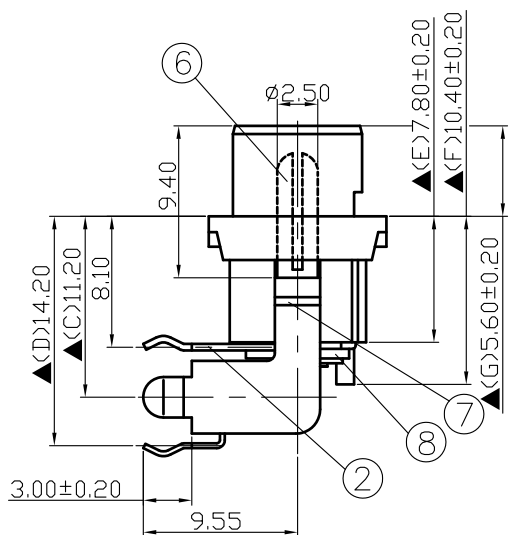


SCHEMATIC	
MODEL NO	C



Pin Hole Layout  
(Jack Bottom View)

8.	Insulator B	Red Vulcanited Fibre	1	Red Color
7.	Insulator A	Red Vulcanited Fibre	1	Red Color
6.	Pin(2.5 $\phi$ )	Low Lead Brass Rod	1	Nickel Plated
5.	Bushing	Low Lead Brass Rod	1	Nickel Plated
4.	Pin Terminal	0.3T Brass	1	Silver Plated
3.	Break Terminal	0.3T Brass	1	Silver Plated
2.	Sleeve Spring	0.4T Phosphor Bronze	1	Silver Plated
1.	Housing	PBT+15%	1	Black Color
NO.	Description	Material	Q'TY	Finish

For Reference  
僅供參考

RoHS&SVHC  
Compliant

<b>SHIGYO</b>	DATE	DWN	CHKD	APVD	MANAGER
	06.21.2021	王平華			

PART NAME :DC POWER JACK	PART NUMBER:SCD456DCS031B00L	VERSION:1.0
--------------------------	------------------------------	-------------

TOLERANCE : $\pm 0.3$ mm UNLESS OTHERWISE SPECIFIED	UNIT:mm 	SCALE:1/1
---	---	-----------

SPECIFICATIONS:  
 Contact Resistance : 30m $\Omega$  max  
 Current Rating : Max 2.0A , 16V DC  
 Insulation Resistance : 100M $\Omega$  min. at DC 500V  
 Dielectric Withstanding Voltage: AC 500V for one minute  
 Remark:  $\blacktriangle$ : The Most Important Dimension