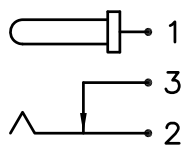
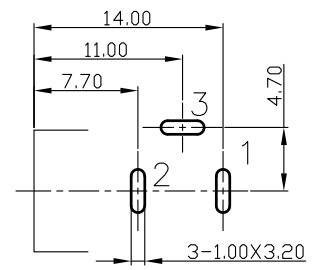
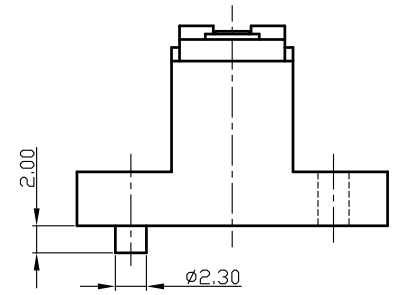
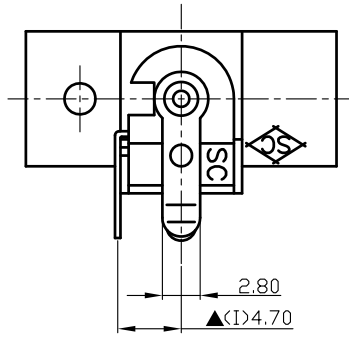
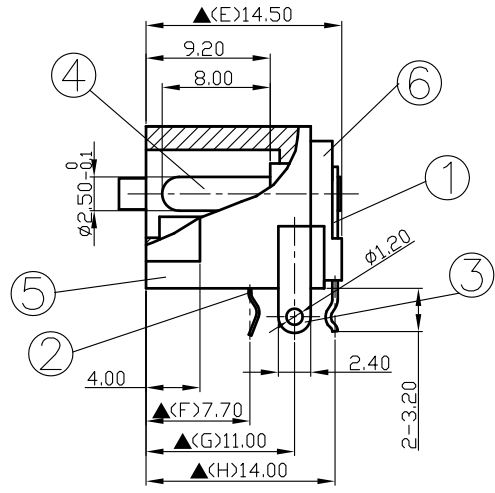
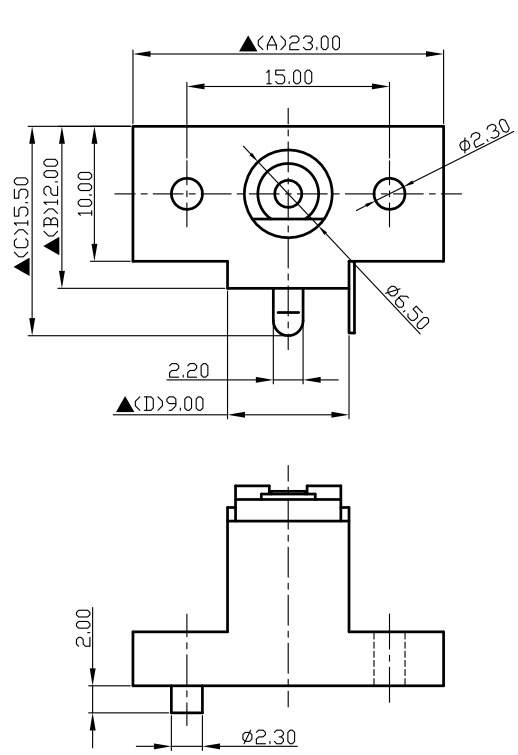


| | |
|-----------|--|
| SCHEMATIC |  |
| MODEL NO | C |



Pin Hole Layout
(Jack Bottom View)

| 6. | Cover | PBT+30% | 1 | Black Color |
|-----|----------------|----------------------|------|---------------|
| 5. | Housing | PBT+30% | 1 | Black Color |
| 4. | Pin(2.5φ) | Brass | 1 | Nickel Plated |
| 3. | Break Terminal | 0.4T Brass | 1 | Silver Plated |
| 2. | Sleeve Spring | 0.2T Phosphor Bronze | 1 | Silver Plated |
| 1. | Pin Terminal | 0.4T Brass | 1 | Silver Plated |
| NO. | Description | Material | Q'TY | Finish |

| | | | | |
|------------|-----|------|------|---------|
| DATE | DWN | CHKD | APVD | MANAGER |
| 10.07.2021 | 王平華 | | | |

For Redference
僅供參考

RoHS&SVHC
Compliant



| | | |
|--------------------------|-------------------------------|-------------|
| PART NAME: DC POWER JACK | PART NUMBER: SCD458DCS003B00G | VERSION:8.0 |
|--------------------------|-------------------------------|-------------|

| | | |
|--|---|-----------|
| TOLERANCE :±0.3mm UNLESS OTHERWISE SPECIFIED | UNIT:mm  | SCALE:1/1 |
|--|---|-----------|

SPECIFICATIONS:
 Contact Resistance : 30mΩ max
 Current Rating : Max 5.0A , 24V DC
 Insulation Resistance : 100MΩ min. at DC 500V
 Dielectric Withstanding Voltage: AC 500V for one minute
 Remark: ▲: The Most Important Dimension