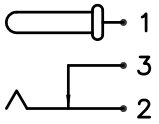
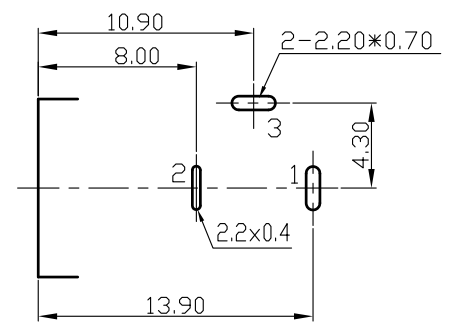
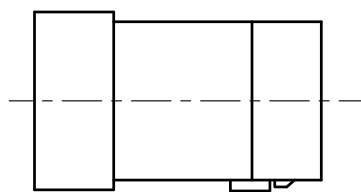
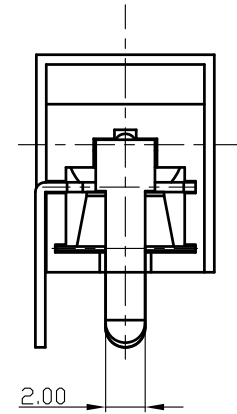
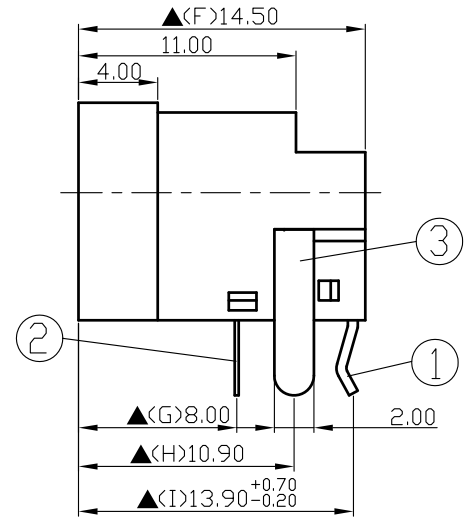
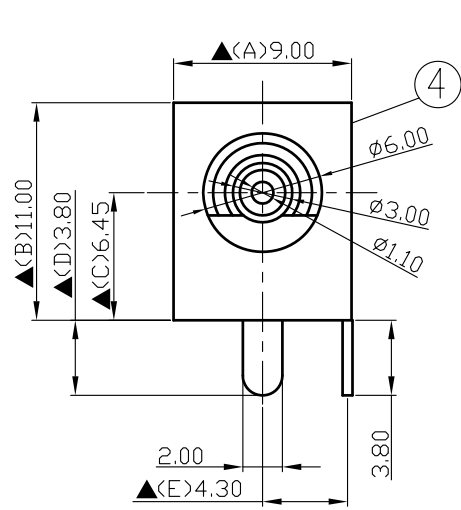


SCHEMATIC	
MODEL NO	C



4.	Housing	PBT+15%	1	Black Color
3.	Break Terminal	0.5T Brass	1	Silver Plated
2.	Ring Spring	0.2T Phosphor Bronze	1	Silver Plated
1.	Pin Terminal	0.5T Brass	1	Silver Plated
NO.	Description	Material	Q'TY	Finish

SHOGYO	DATE	DWN	CHKD	APVD	MANAGER
	10.07.2021	王平華			

PART NAME : DC POWER JACK	PART NUMBER: SCD460ECS00SB00G	VERSION:8.0
---------------------------	-------------------------------	-------------

TOLERANCE :±0.3mm UNLESS OTHERWISE SPECIFIED	UNIT:mm 	SCALE:1/1
--	---	-----------

SPECIFICATIONS:
 Contact Resistance : 30mΩ max
 Current Rating : Max 5.0A ,24VDC
 Insulation Resistance : 100MΩ min. at DC 500V
 Dielectric Withstand Voltage : AC 500V for one minute
 Remark: ▲: The Most Important Dimension

For Redference
 僅供參考

RoHS&SVHC
 Compliant