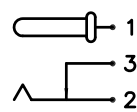
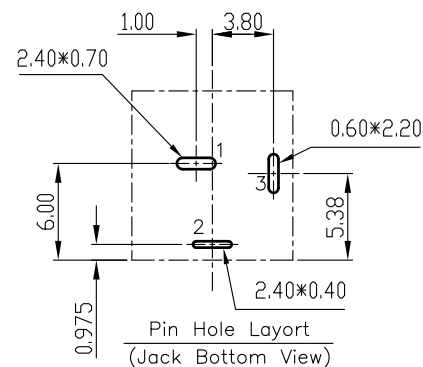
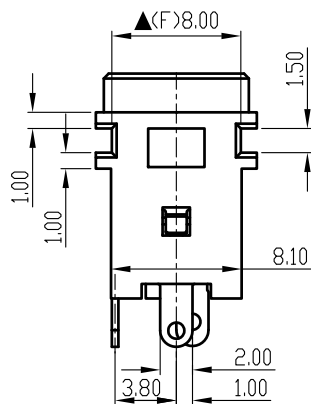
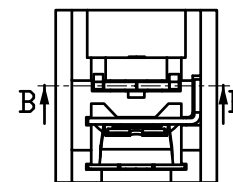
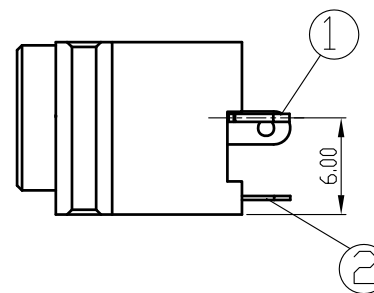
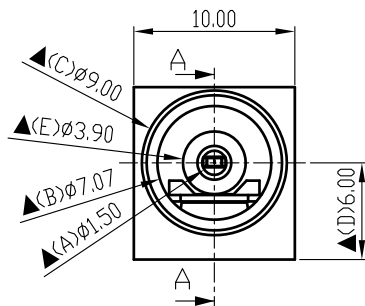
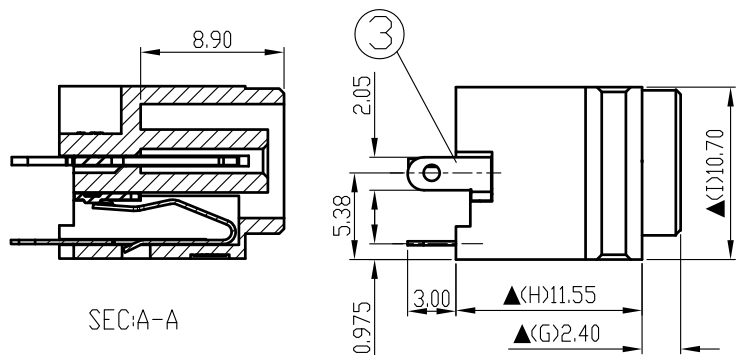
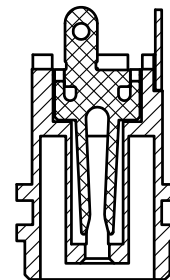
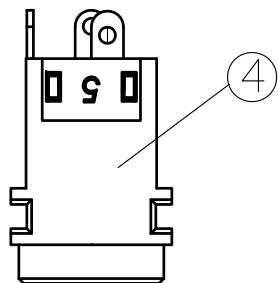


SCHEMATIC	
MODEL NO	C



NO.	Description	Material	Q'TY	Finish
4.	Housing	PA66	1	Black Color
3.	Break Terminal	0.40T Brass	1	silver plater
2.	Ping Spring	0.25T Phosphor Bronze	1	silver plater
1.	Pin Terminal	0.50T Brass	1	silver plater



DATE	DWN	CHKD	APVD	MANAGER
10.13.2021	王平華			

PART NAME : DC POWER JACK

PART NUMBER: SCD463JCS000B00G

VERSION:8.0

TOLERANCE :±0.3mm UNLESS OTHERWISE SPECIFIED

UNIT:mm 

SCALE:1/1

SPECIFICATIONS:

Contact Resistance : 30mΩ max
 Current Rating : Max 5.0A , 24VDC
 Insulation Resistance : 100MΩ min. at DC 500V
 Dielectric Withstanding Voltage: AC 500V for one minute
 Remark: ▲ : The Most Important Dimension

For Redference
 僅供參考

RoHS&SVHC
 Pb Free Process