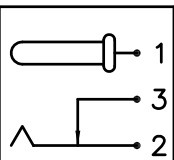
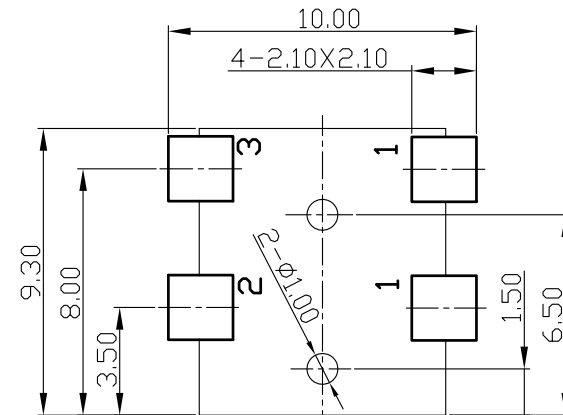
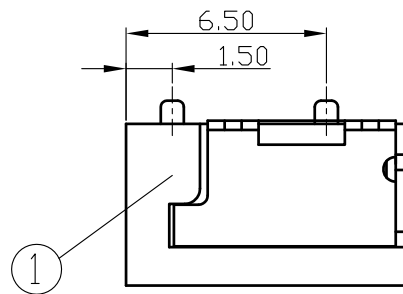
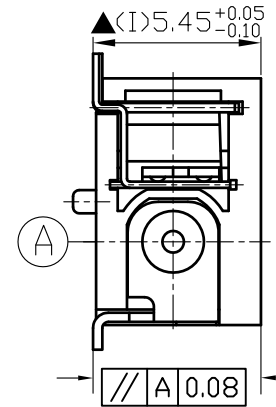
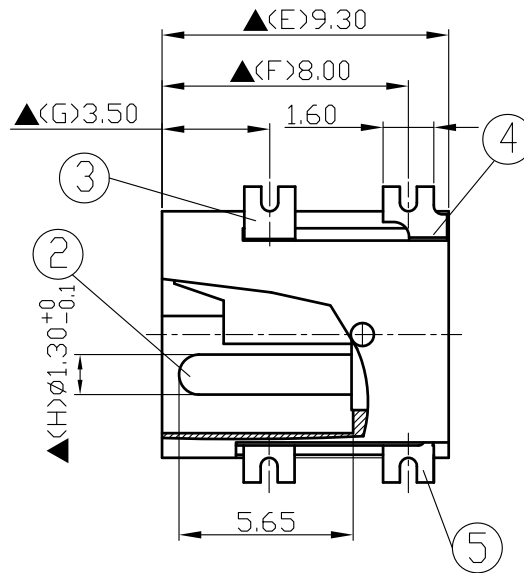
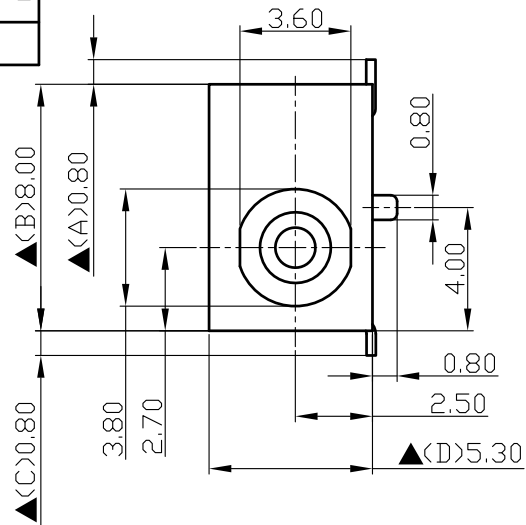


SCHEMATIC	
MODEL NO	C



Pin Hole Layout
(Jack Bottom View)

5.	Spring	0.3T Phosphor Bronze	1	Silver Plated
4.	Break Terminal	0.2T Brass	1	Silver Plated
3.	Pin Terminal	0.3T Brass	1	Silver Plated
2.	Pin($\phi 1.3$)	Copper	1	Silver Plated
1.	Housing	PA10T	1	Black Color
NO.	Description	Material	Q'TY	Finish

SHOGYO

DATE	DWN	CHKD	APVD	MANAGER
10.11.2021	王平華			

For Redference
僅供參考

RoHS&SVHC
Pb Free Process

PART NAME : DC POWER JACK	PART NUMBER: SCD473ACS000B00G	VERSION:8.0
---------------------------	-------------------------------	-------------

TOLERANCE : ± 0.3 mm UNLESS OTHERWISE SPECIFIED	UNIT:mm 	SCALE:1/1
---	---	-----------

SPECIFICATIONS:
 Contact Resistance : 30m Ω max
 Current Rating : Max 5A , 24VDC
 Insulation Resistance : 100M Ω min. at DC 500V
 Dielectric Withstanding Voltage: AC 500V for one minute
 Remark: ▲: The Most Important Dimension