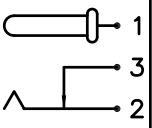
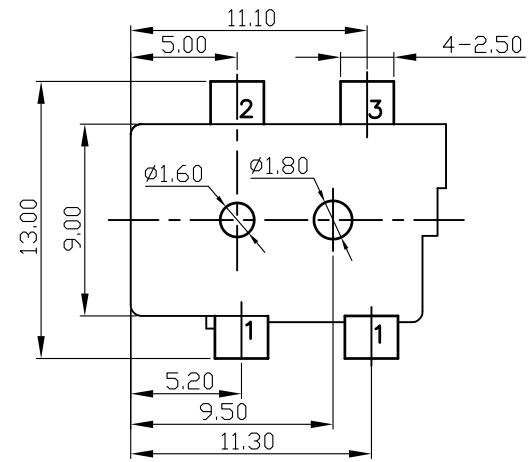
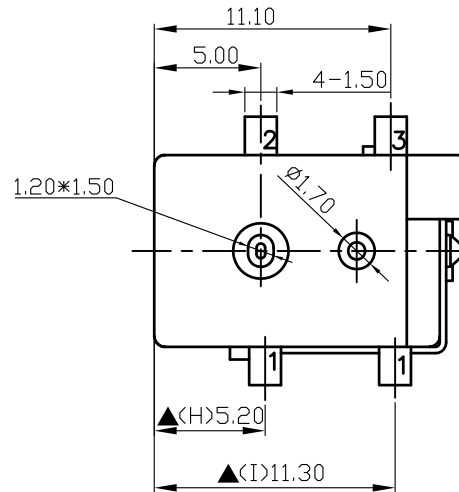
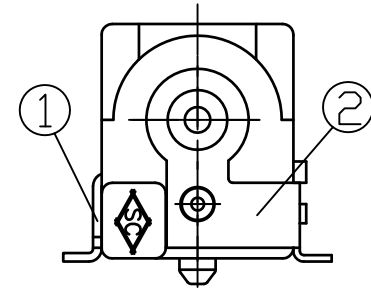
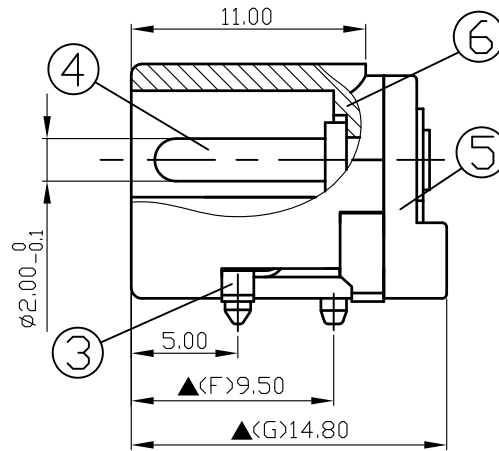
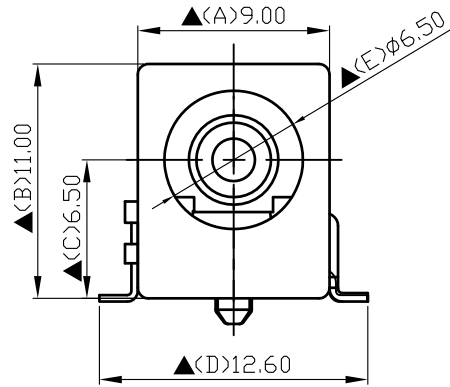


|           |   |
|-----------|---|
| SCHEMATIC |  |
|           | MODEL NO C  |



Pin Hole Layout  
(Jack Bottom View)

| 6.  | Housing          | PA9T                 | 1    | Black Color   |
|-----|------------------|----------------------|------|---------------|
| 5.  | Cover            | PA9T                 | 1    | Black Color   |
| 4.  | Pin(2.0 $\phi$ ) | Brass                | 1    | Nickel Plated |
| 3.  | Sleeve Spring    | 0.3T Phosphor Bronze | 1    | Silver Plated |
| 2.  | Pin Terminal     | 0.3T Brass           | 1    | Silver Plated |
| 1.  | Break Terminal   | 0.4T Brass           | 1    | Silver Plated |
| NO. | Description      | Material             | Q'TY | Finish        |



| DATE       | DWN | CHKD | APVD | MANAGER |
|------------|-----|------|------|---------|
| 10.11.2021 | 王平華 |      |      |         |

For Redference  
僅供參考

RoHS&SVHC  
Pb Free Process

PART NAME :DC POWER JACK      PART NUMBER:SCD480CCS000B00G      VERSION:8.0

TOLERANCE : $\pm 0.3$ mm UNLESS OTHERWISE SPECIFIED      UNIT:mm       SCALE:1/1

SPECIFICATIONS:  
 Contact Resistance : 30m $\Omega$  max  
 Current Rating : Max 5.0A , 24VDC  
 Insulation Resistance : 100M $\Omega$  min. at DC 50V  
 Dielectric Withstand Voltage : AC 500V for one minute  
 Remark: ▲: The Most Important Dimension