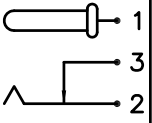
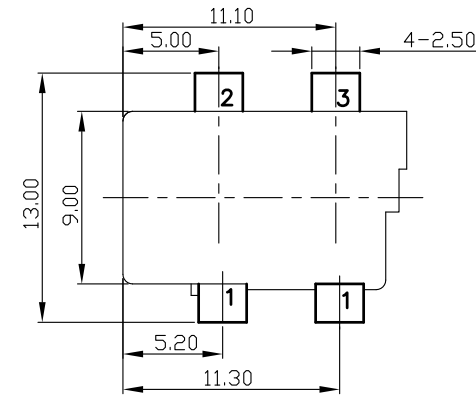
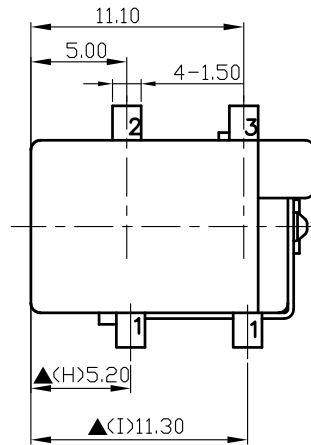
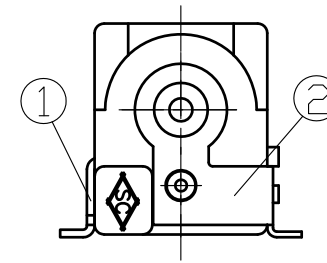
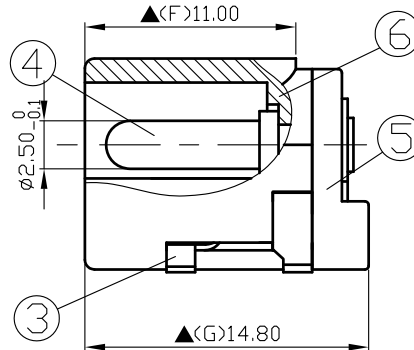
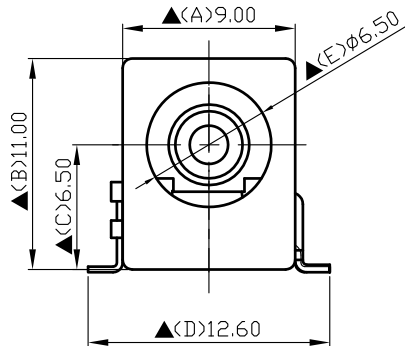


SCHEMATIC	
	MODEL NO C



Pin Hole Layout
(Jack Bottom View)

6.	Housing	PA9T	1	Black Color
5.	Cover	PA9T	1	Black Color
4.	Pin(2.5φ)	Brass	1	Nickel Plated
3.	Sleeve Spring	0.3T Phosphor Bronze	1	Silver Plated
2.	Pin Terminal	0.3T Brass	1	Silver Plated
1.	Break Terminal	0.4T Brass	1	Silver Plated
NO.	Description	Material	Q'TY	Finish



DATE	DWN	CHKD	APVD	MANAGER
10.11.2021	王平華			

For Redference
僅供參考

RoHS&SVHC
Pb Free Process

PART NAME :DC POWER JACK

PART NUMBER:SCD481DCS000B00G

VERSION:6.0

TOLERANCE :±0.3mm UNLESS OTHERWISE SPECIFIED

UNIT:mm 

SCALE:1/1

SPECIFICATIONS:

Contact Resistance : 30mΩ max
 Current Rating : Max 5.0A , 24VDC
 Insulation Resistance : 100MΩ min. at DC 500V
 Dielectric Withstand Voltage : AC 500V for one minute
 Remark: ▲: The Most Important Dimension