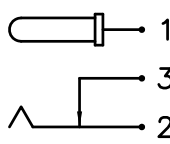
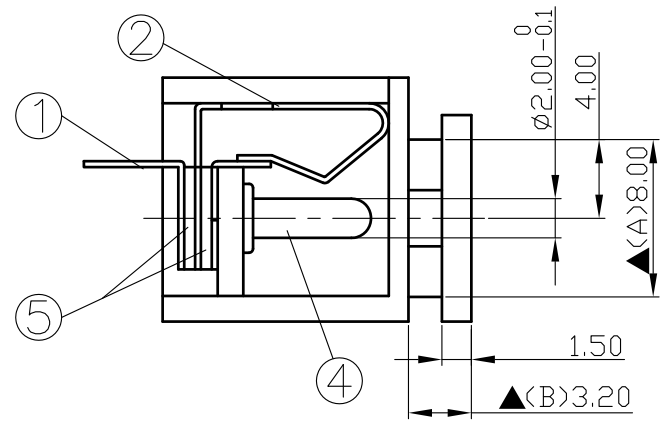
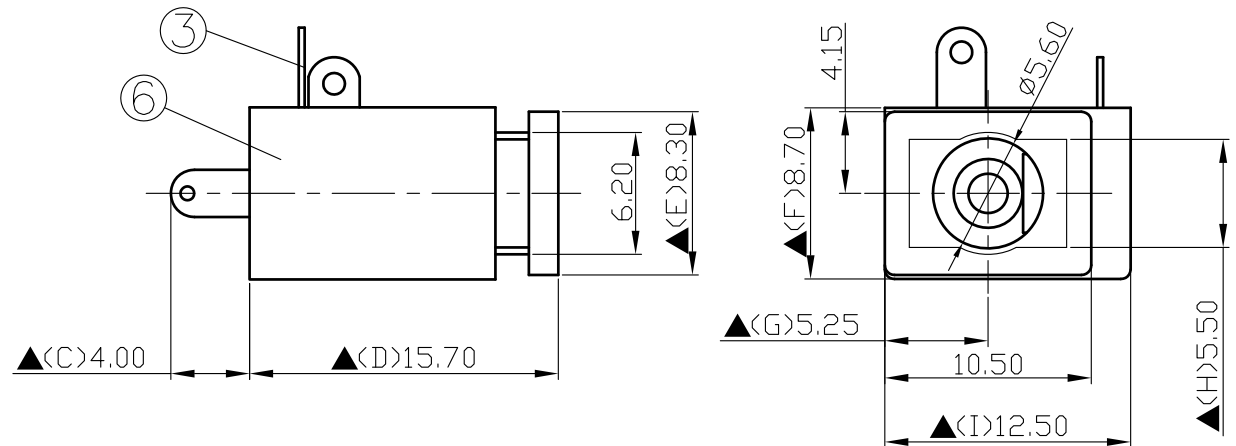


SCHEMATIC	
MODEL NO	C



6.	Housing	PBT+15%	1	Black Color
5.	Insulator	Bakelite	2	Natural
4.	Pin(2.0 ϕ)	Copper	1	Nickel Plated
3.	Break Terminal	0.3T Brass	1	Silver Plated
2.	Sleeve Spring Terminal	0.3T Phosphor Bronze	1	Silver Plated
1.	Pin Terminal	0.3T Brass	1	Silver Plated
NO.	Description	Material	Q'TY	Finish

DATE	DWN	CHKD	APVD	MANAGER
10.12.2021	王平華			

For Redference
僅供參考

RoHS&SVHC
Compliant

PART NAME: DC POWER JACK	PART NUMBER: SCD513CCS000B00G	VERSION:9.0
--------------------------	-------------------------------	-------------

TOLERANCE : ± 0.3 mm UNLESS OTHERWISE SPECIFIED	UNIT:mm 	SCALE:1/1
---	---	-----------

SPECIFICATIONS:
 Contact Resistance : 30m Ω max
 Current Rating : Max 5.0A , 24VDC
 Insulation Resistance : 100M Ω min. at DC 500V
 Dielectric Withstanding Voltage: AC 500V for one minute
 Remark: \blacktriangle : The Most Important Dimension