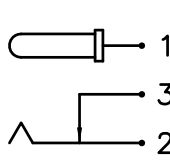
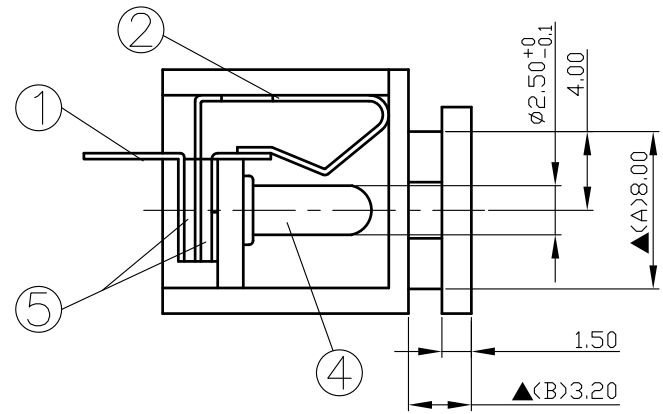
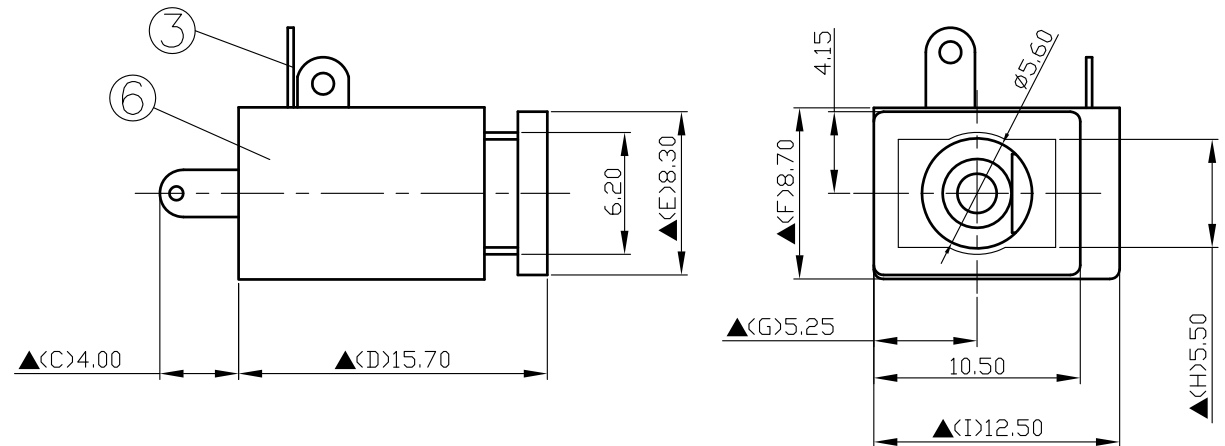


SCHEMATIC	
MODEL NO	C



6.	Housing	PBT+15%	1	Black Color
5.	Insulator	Bakelite	2	Natural
4.	Pin(2.5φ)	Copper	1	Nickel Plated
3.	Break Terminal	0.3T Brass	1	Silver Plated
2.	Sleeve Spring Terminal	0.3T Phosphor Bronze	1	Silver Plated
1.	Pin Terminal	0.3T Brass	1	Silver Plated
NO.	Description	Material	Q'TY	Finish

For Redference
僅供參考

RoHS&SVHC
Compliant

	DATE	DWN	CHKD	APVD	MANAGER
	10.12.2021	王平華			

PART NAME: DC POWER JACK	PART NUMBER: SCD513DCS000B00G	VERSION:9.0
--------------------------	-------------------------------	-------------

TOLERANCE :±0.3mm UNLESS OTHERWISE SPECIFIED	UNIT:mm 	SCALE:1/1
--	---	-----------

SPECIFICATIONS:
 Contact Resistance : 30mΩ max
 Current Rating : Max 5.0A , 24VDC
 Insulation Resistance : 100MΩ min. at DC 500V
 Dielectric Withstanding Voltage: AC 500V for one minute
 Remark: ▲: The Most Important Dimension