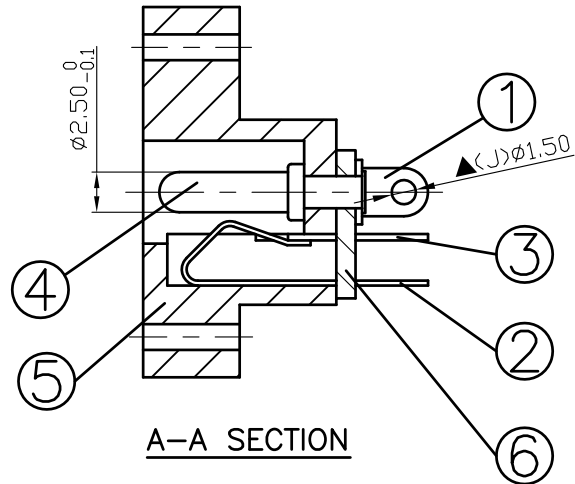
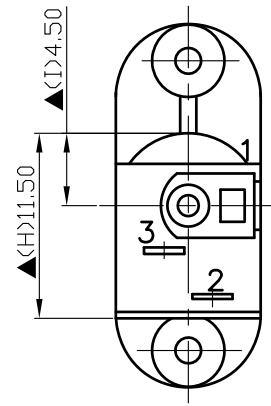
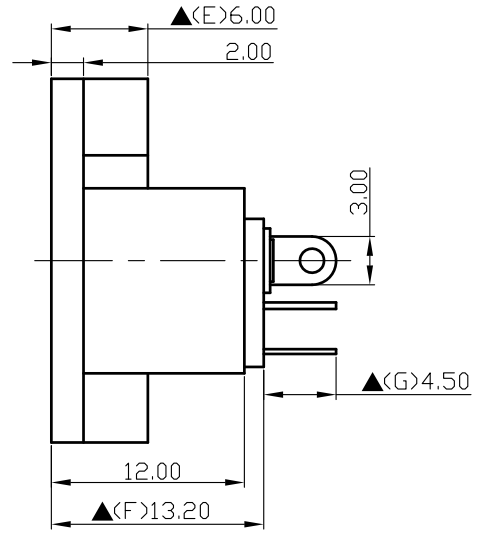
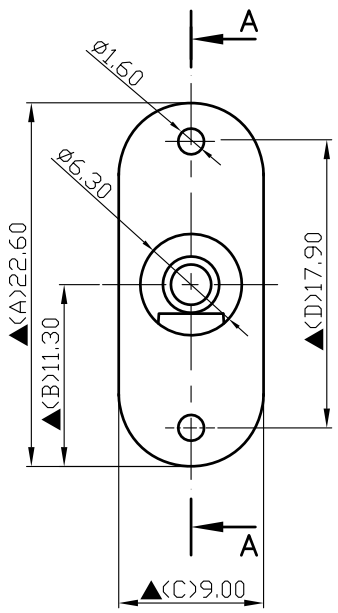


1 2 3 4 5 6 7

SCHEMATIC	
MODEL NO	C



6.	Cover	1.0T Bakelite	1	Black Color
5.	Housing	PBT+15%	1	Black Color
4.	Pin(2.5 ϕ)	Brass	1	Nikel Plated
3.	Break Terminal	0.3T Brass	1	Silver Plated
2.	Sleeve Spring Terminal	0.2T Phosphor Bronze	1	Silver Plated
1.	Pin Terminal	0.4T Brass	1	Silver Plated
NO.	Description	Material	Q'TY	Finish

	DATE	DWN	CHKD	APVD	MANAGER
	10.12.2021	王平華			

PART NAME : DC POWER JACK	PART NUMBER: SCD519DCS000B00G	VERSION:11.0
TOLERANCE : ± 0.3 mm UNLESS OTHERWISE SPECIFIED	UNIT:mm	SCALE:1/1

SPECIFICATIONS:
 Contact Resistance : 30m Ω max
 Current Rating : Max 7.0A ,24VDC
 Insulation Resistance : 100M Ω min. at DC 500V
 Dielectric Withstand Voltage : AC 500V for one minute
 Remark: \blacktriangle : The Most Important Dimension

For Redference
 僅供參考
 RoHS&SVHC
 Compliant

1 2 3 4 5 6 7