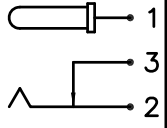
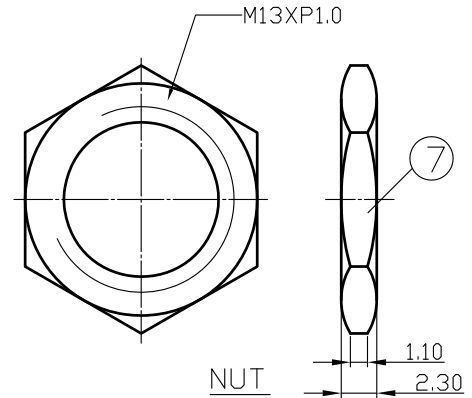
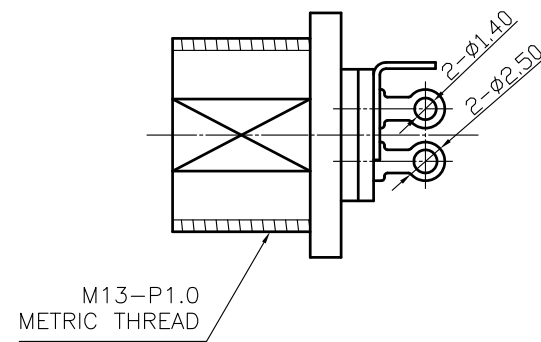
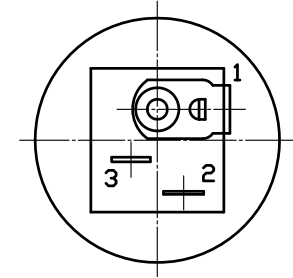
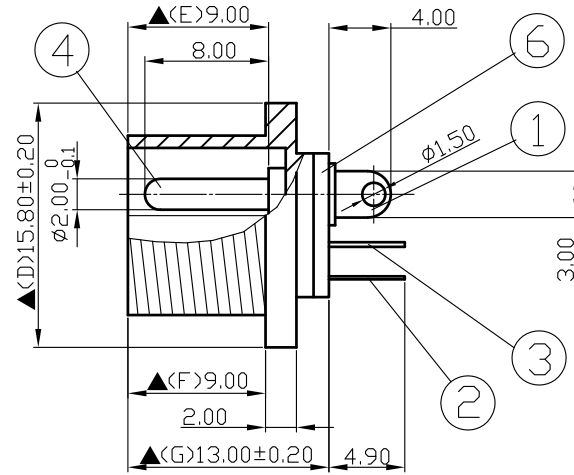
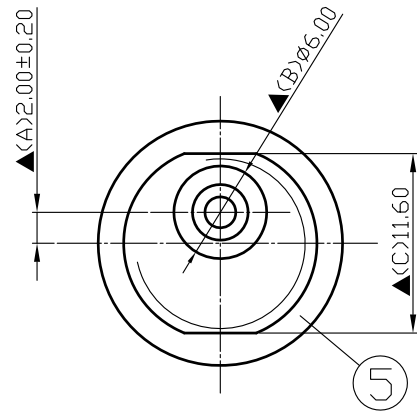


SCHEMATIC	
MODEL NO	C



7.	Nut	Low Lead Brass Rod	1	Nickel Plated
6.	Insulator	1.0T Bakelite	1	Natural
5.	Housing	PBT+30%	1	Black
4.	Pin(2.0φ)	Brass	1	Nickel Plated
3.	Break Terminal	0.3T Brass	1	Silver Plated
2.	Sleeve Spring	0.2T Phosphor Bronze	1	Silver Plated
1.	Pin Terminal	0.4T Brass	1	Silver Plated
NO.	Description	Material	Q'TY	Finish



DATE	DWN	CHKD	APVD	MANAGER
10.12.2021	王平華			

For Redference
僅供參考

RoHS&SVHC
Compliant

PART NAME :DC POWER JACK

PART NUMBER:SCD522CCS100B02L

VERSION:2.0

TOLERANCE :±0.3mm UNLESS OTHERWISE SPECIFIED

UNIT:mm 

SCALE:1/1

SPECIFICATIONS:
 Contact Resistance : 30mΩ max
 Current Rating : Max 5.0A , 24VDC
 Insulation Resistance : 100MΩ min. at DC 500V
 Dielectric Withstanding Voltage: AC 500V for one minute
 Remark: ▲: The Most Important Dimension