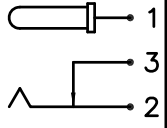
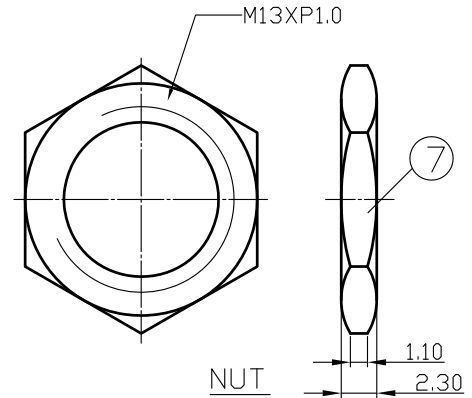
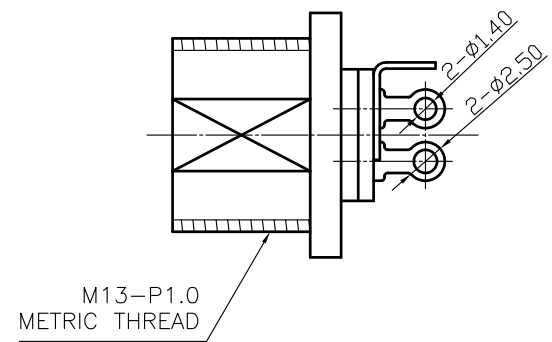
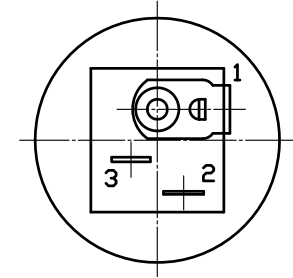
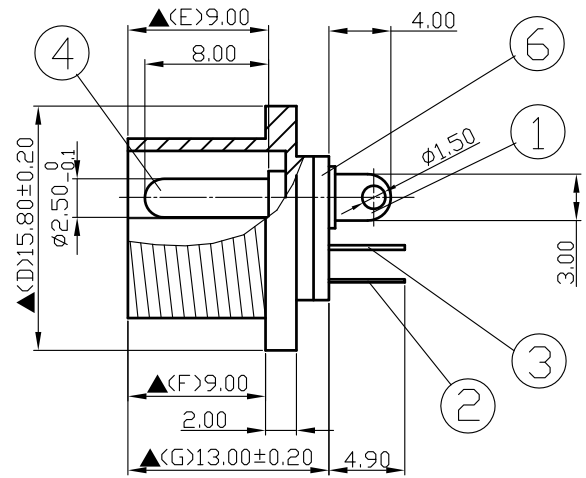
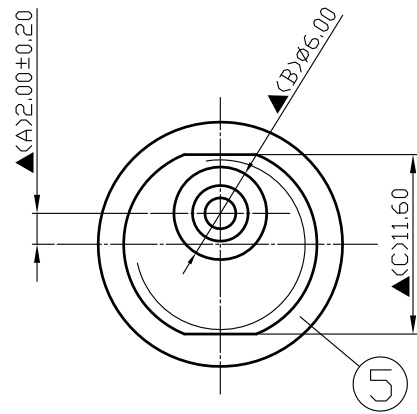


SCHEMATIC	
MODEL NO	C



7.	Nut	Low Lead Brass Rod	1	Nickel Plated
6.	Insulator	1.0T Bakelite	1	Natural
5.	Housing	PBT+30%	1	Black
4.	Pin(2.5 ϕ)	Brass	1	Nickel Plated
3.	Break Terminal	0.3T Brass	1	Silver Plated
2.	Sleeve Spring	0.2T Phosphor Bronze	1	Silver Plated
1.	Pin Terminal	0.4T Brass	1	Silver Plated
NO.	Description	Material	Q'TY	Finish



DATE	DWN	CHKD	APVD	MANAGER
10.12.2021	王平華			

For Redference
僅供參考

RoHS&SVHC
Compliant

PART NAME :DC POWER JACK	PART NUMBER:SCD522DCS100B02L	VERSION:2.0
--------------------------	------------------------------	-------------

TOLERANCE : ± 0.3 mm UNLESS OTHERWISE SPECIFIED	UNIT:mm 	SCALE:1/1
---	---	-----------

SPECIFICATIONS:
 Contact Resistance : 30m Ω max
 Current Rating : Max 5.0A , 24VDC
 Insulation Resistance : 100M Ω min. at DC 500V
 Dielectric Withstanding Voltage: AC 500V for one minute
 Remark: ▲: The Most Important Dimension