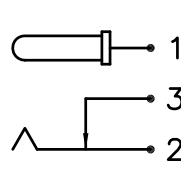
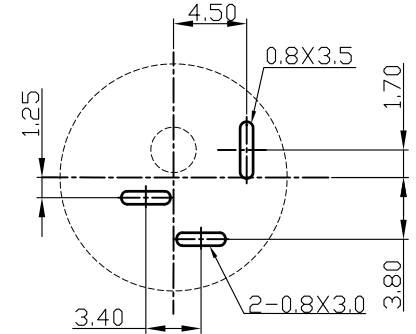
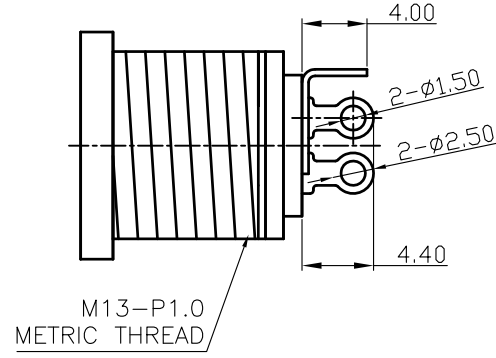
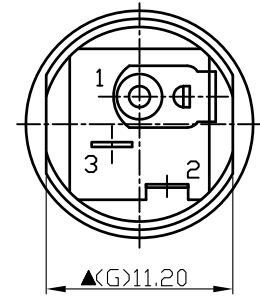
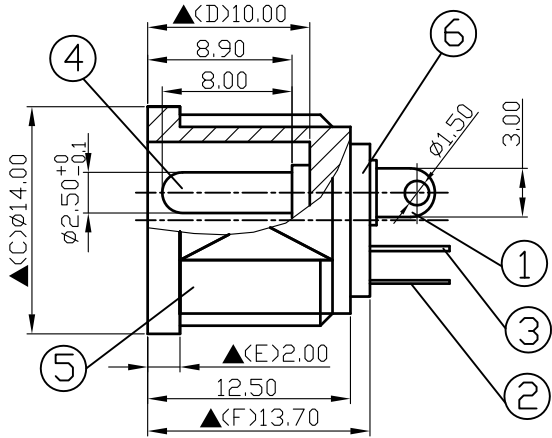
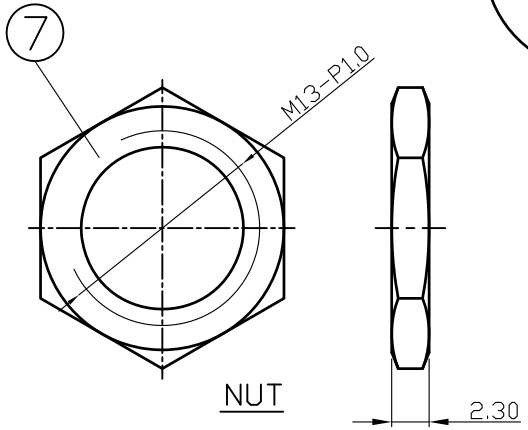
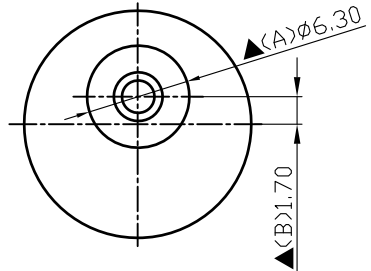


SCHEMATIC	
MODEL NO	C



7.	Nut	Low Lead Brass Rod	1	Nickel Plated
6.	Insulator	1.2T Bakelite	1	Natural
5.	Housing	PBT+30%	1	Black Color
4.	Pin(2.5φ)	Brass	1	Nickel Plated
3.	Break Terminal	0.3T Brass	1	Silver Plated
2.	Sleeve Spring	0.2T Phosphor Bronze	1	Silver Plated
1.	Pin Terminal	0.4T Brass	1	Silver Plated
NO.	Description	Material	Q' TY	Finish

SHOGYO

DATE	DWN	CHKD	APVD	MANAGER
10.12.2021	王平華			

For Redference
僅供參考

RoHS&SVHC
Compliant

PART NAME : DC POWER JACK	PART NUMBER:SCD523DCS100B00L	VERSION:3.0
---------------------------	------------------------------	-------------

TOLERANCE :±0.3mm UNLESS OTHERWISE SPECIFIED	UNIT:mm	SCALE:1/1
--	---------	-----------

SPECIFICATIONS:
 Contact Resistance : 30mΩ max
 Current Rating : Max 5.0A , 24VDC
 Insulation Resistance: 100MΩ min. at DC 500V
 Remark: ▲ : The Most Important Dimension