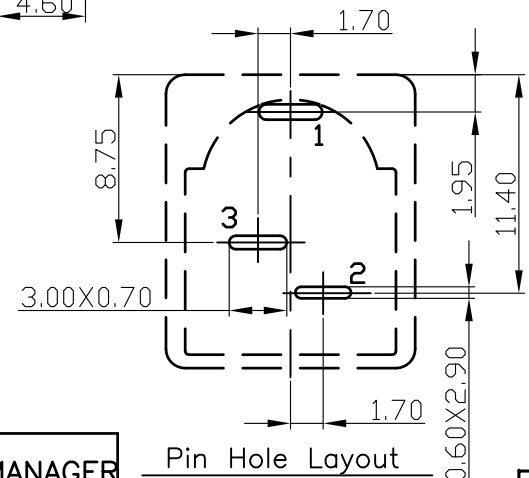
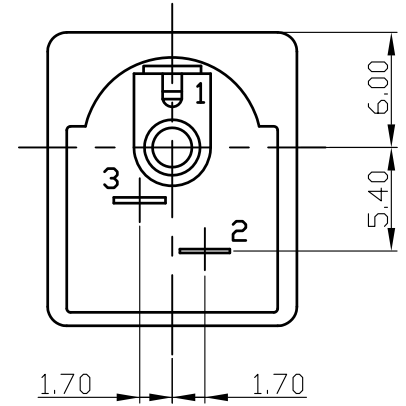
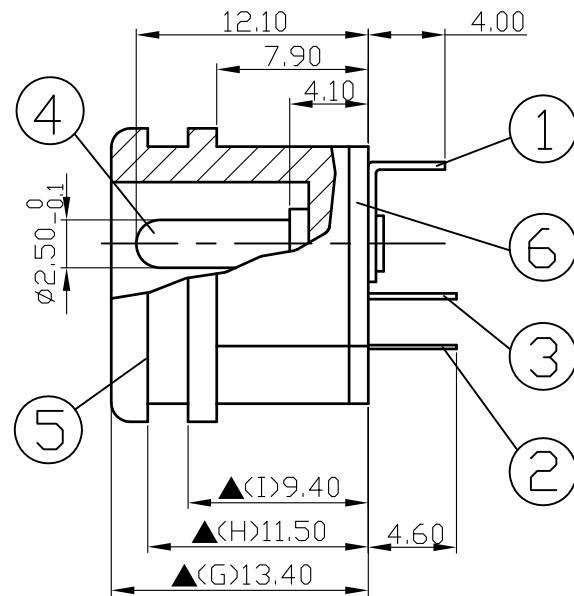
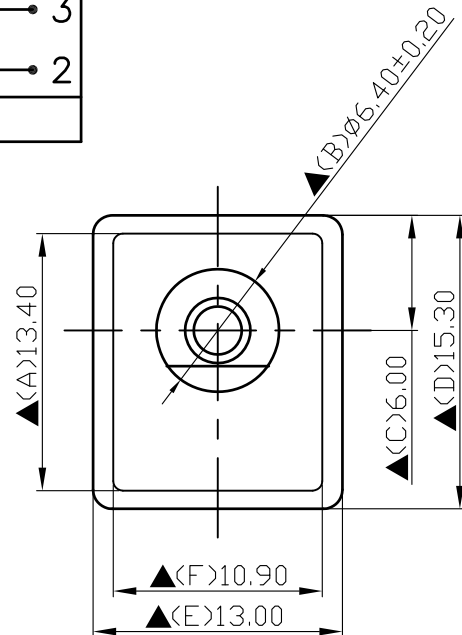


| | |
|-----------|---|
| SCHEMATIC | |
| MODEL NO | C |



| 6. | Insulator | 1.0T Bakelite | 1 | Natural |
|-----|------------------|----------------------|------|---------------|
| 5. | Housing | POM | 1 | Black Color |
| 4. | Pin(2.5 ϕ) | Brass | 1 | Nickel Plated |
| 3. | Break Terminal | 0.3T Brass | 1 | Silver Plated |
| 2. | Sleeve Spring | 0.2T Phosphor Bronze | 1 | Silver Plated |
| 1. | Pin Terminal | 0.4T Brass | 1 | Silver Plated |
| NO. | Description | Material | Q'TY | Finish |

| DATE | DWN | CHKD | APVD | MANAGER |
|------------|-----|------|------|---------|
| 10.06.2021 | 王平華 | | | |



Pin Hole Layout
(Jack Bottom View)

For Redference
僅供參考

RoHS&SVHC
Compliant

PART NAME :DC POWER JACK PART NUMBER:SCD525DCS000B00G VERSION:8.0

TOLERANCE : ± 0.3 mm UNLESS OTHERWISE SPECIFIED UNIT:mm SCALE:1/1

SPECIFICATIONS:
 Contact Resistance : 30m Ω max
 Current Rating : Max 5.0A , 24VDC
 Insulation Resistance : 100M Ω min. at DC 500V
 Dielectric Withstand Voltage : AC 500V for one minute
 Remark: ▲ : The Most Important Dimension