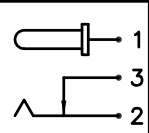
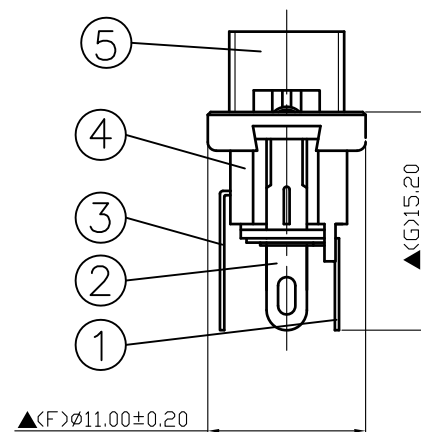
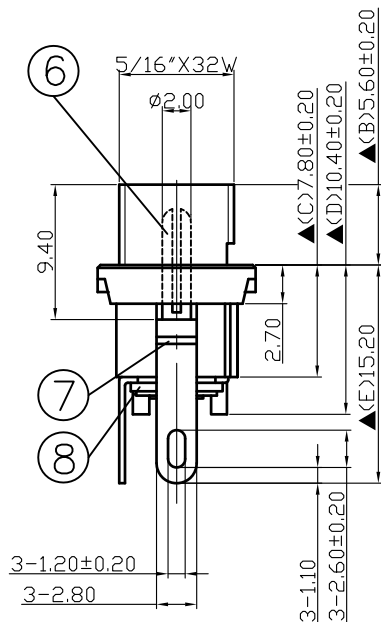
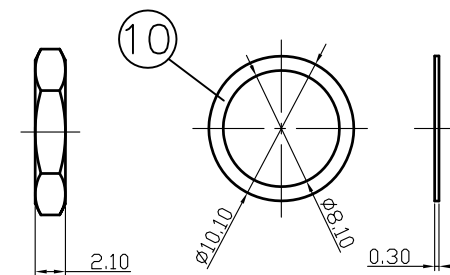
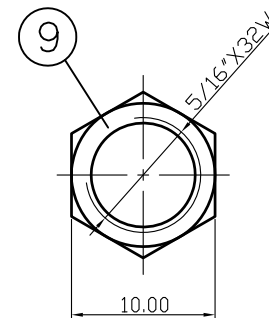
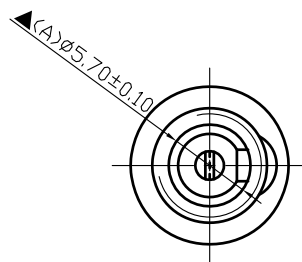


| | |
|-----------|--|
| SCHEMATIC |  |
| MODEL NO | C |



| 10. | Washer | 0.3T Steel | 1 | Nickel Plated |
|-----|----------------|----------------------|------|---------------|
| 9. | Nut | Low Lead Brass Rod | 1 | Nickel Plated |
| 8. | Insulator B | Red Vulcanited Fibre | 1 | Red Color |
| 7. | Insulator A | Red Vulcanited Fibre | 1 | Red Color |
| 6. | Pin(2.0φ) | Low Lead Brass Rod | 1 | Nickel Plated |
| 5. | Bushing | Low Lead Brass Rod | 1 | Nickel Plated |
| 4. | Housing | PBT+15% | 1 | Black Color |
| 3. | Break Terminal | 0.3T Brass | 1 | Silver Plated |
| 2. | Sleeve Spring | 0.4T Phosphor Bronze | 1 | Silver Plated |
| 1. | Pin Terminal | 0.3T Brass | 1 | Silver Plated |
| NO. | Description | Material | Q'TY | Finish |



NUT

WASHER

For Redference
僅供參攷

RoHS&SVHC
Compliant

SHIGYO

| DATE | DWN | CHKD | APVD | MANAGER |
|------------|-----|------|------|---------|
| 06.16.2021 | 王平華 | | | |

PART NAME :DC POWER JACK

PART NUMBER: SCD554CCS103B00L

VERSION:3.0

TOLERANCE :±0.3mm UNLESS OTHERWISE SPECIFIED

UNIT:mm 

SCALE:1/1

SPECIFICATIONS:

Contact Resistance : 30mΩ max
Current Rating : Max 5.0A , 24VDC
Insulation Resistance : 100MΩ min. at DC 500V
Dielectric Withstand Voltage : AC 500V for one minute
Remark: ▲: The Most Important Dimension