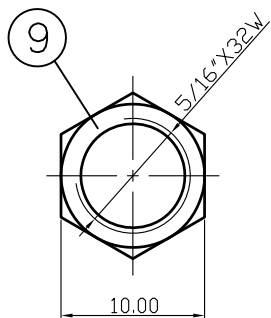
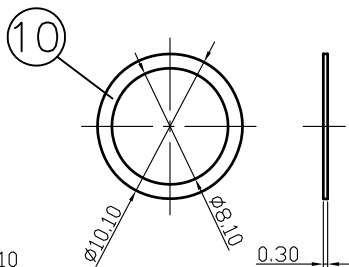
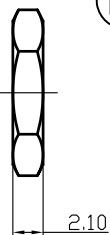


SCHEMATIC	
MODEL NO	C

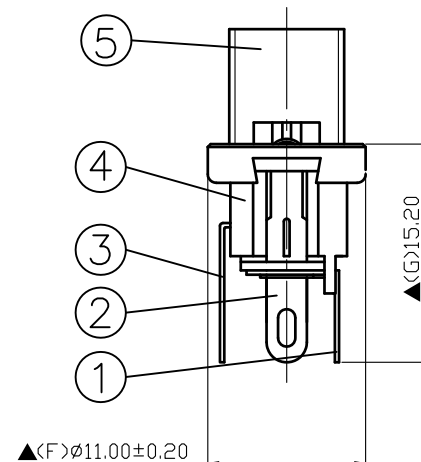
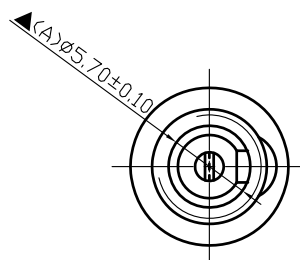
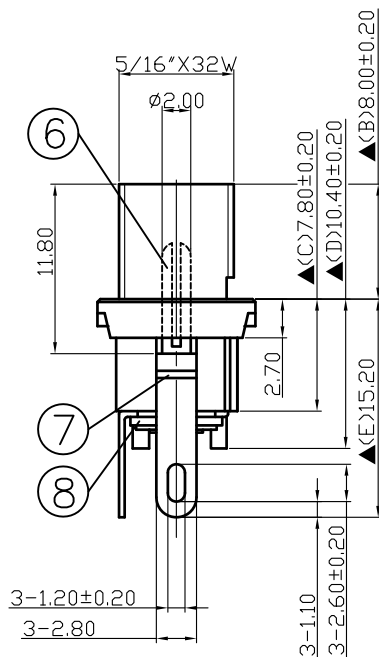


NUT



WASHER

10.	Washer	0.3T Steel	1	Nickel Plated
9.	Nut	Low Lead Brass Rod	1	Nickel Plated
8.	Insulator B	Red Vulcanited Fibre	1	Red Color
7.	Insulator A	Red Vulcanited Fibre	1	Red Color
6.	Pin(2.0φ)	Low Lead Brass Rod	1	Nickel Plated
5.	Bushing	Low Lead Brass Rod	1	Nickel Plated
4.	Housing	PBT+15%	1	Black Color
3.	Break Terminal	0.3T Brass	1	Silver Plated
2.	Sleeve Spring	0.4T Phosphor Bronze	1	Silver Plated
1.	Pin Terminal	0.3T Brass	1	Silver Plated
NO.	Description	Material	Q'TY	Finish



For Redference
僅供參考

RoHS&SVHC
Compliant

	DATE	DWN	CHKD	APVD	MANAGER
	06.22.2021	王平華			

PART NAME :DC POWER JACK	PART NUMBER: SCD554CCS103BB1L	VERSION:3.0
--------------------------	-------------------------------	-------------

TOLERANCE :±0.3mm UNLESS OTHERWISE SPECIFIED	UNIT:mm	SCALE:1/1
--	---------	-----------

SPECIFICATIONS:
 Contact Resistance : 30mΩ max
 Current Rating : Max 5.0A , 24VDC
 Insulation Resistance : 100MΩ min. at DC 500V
 Dielectric Withstand Voltage : AC 500V for one minute
 Remark: ▲: The Most Important Dimension