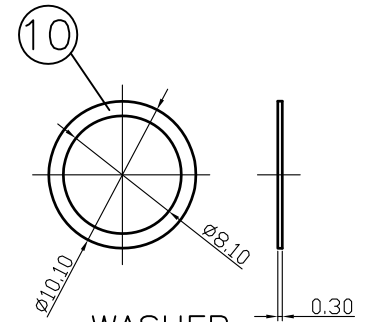
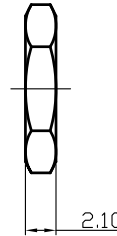
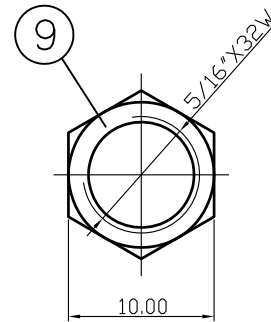
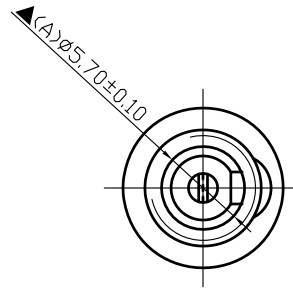


10.	Washer	0.3T Steel	1	Nickel Plated
9.	Nut	Low Lead Brass Rod	1	Nickel Plated
8.	Insulator B	Red Vulcanited Fibre	1	Red Color
7.	Insulator A	Red Vulcanited Fibre	1	Red Color
6.	Pin(2.5 $\phi$ )	Low Lead Brass Rod	1	Nickel Plated
5.	Bushing	Low Lead Brass Rod	1	Nickel Plated
4.	Housing	PBT+15%	1	Black Color
3.	Break Terminal	0.3T Brass	1	Silver Plated
2.	Sleeve Spring	0.4T Phosphor Bronze	1	Silver Plated
1.	Pin Terminal	0.3T Brass	1	Silver Plated
NO.	Description	Material	Q'TY	Finish



NUT

WASHER

For Redference  
僅供參考

RoHS&SVHC  
Compliant

DATE	DWN	CHKD	APVD	MANAGER
06.22.2021	王平華			

SPECIFICATIONS:

Current Rating : Max 5A , 24VDC  
 Contact Resistance : 30m $\Omega$  max  
 Insulation Resistance : 100M $\Omega$  min. at DC 500V  
 Dielectric Withstanding Voltage: AC 500V for one minute  
 Remark: ▲: The Most Important Dimension

PART NAME :DC POWER JACK

PART NUMBER: SCD554DCS103B00L

VERSION:3.0

TOLERANCE : $\pm 0.3$ mm UNLESS OTHERWISE SPECIFIED

UNIT:mm



SCALE:1/1