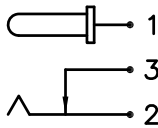
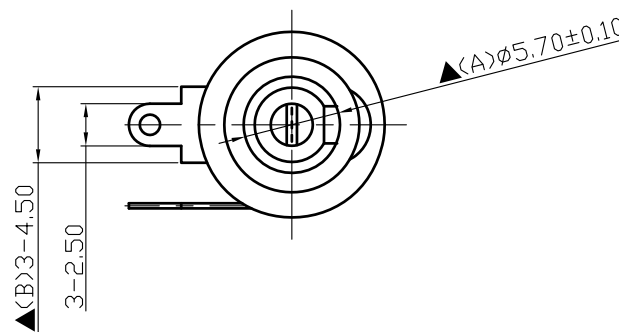
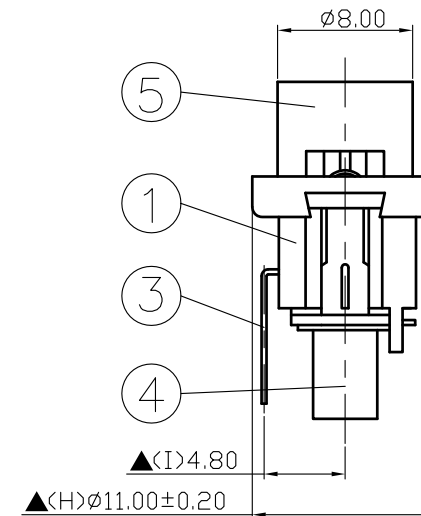
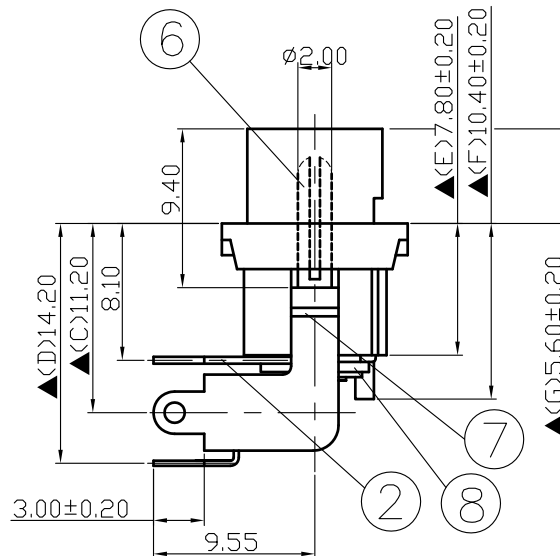


SCHEMATIC	
MODEL NO	C



8.	Insulator B	Red Vulcanited Fibre	1	Red Color
7.	Insulator A	Red Vulcanited Fibre	1	Red Color
6.	Pin(2.0 $\phi$ )	Low Lead Brass Rod	1	Nickel Plated
5.	Bushing	Low Lead Brass Rod	1	Nickel Plated
4.	Pin Terminal	0.3T Brass	1	Silver Plated
3.	Break Terminal	0.3T Brass	1	Silver Plated
2.	Sleeve Spring	0.4T Phosphor Bronze	1	Silver Plated
1.	Housing	PBT+15%	1	Black Color
NO.	Description	Material	Q'TY	Finish

For Redference  
僅供參考

RoHS&SVHC  
Compliant

<b>SHOGYO</b>	DATE	DWN	CHKD	APVD	MANAGER
	06.22.2021	王平華			

PART NAME :DC POWER JACK	PART NUMBER:SCD556CCS011B00L	VERSION:1.0
--------------------------	------------------------------	-------------

TOLERANCE :±0.3mm UNLESS OTHERWISE SPECIFIED	UNIT:mm 	SCALE:1/1
--	---	-----------

SPECIFICATIONS:  
 Contact Resistance : 30m $\Omega$  max  
 Current Rating : Max 5.0A, 24VDC  
 Insulation Resistance : 100M $\Omega$  min. at DC 500V  
 Dielectric Withstanding Voltage: AC 500V for one minute  
 Remark: ▲: The Most Important Dimension