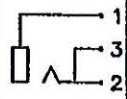
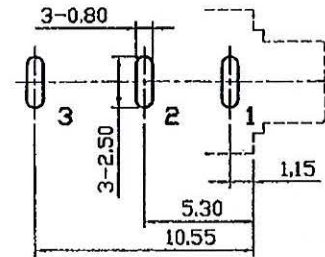
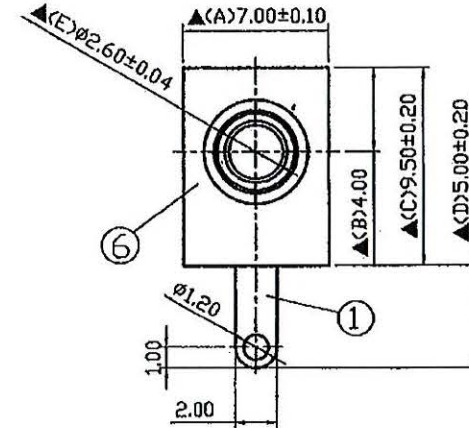
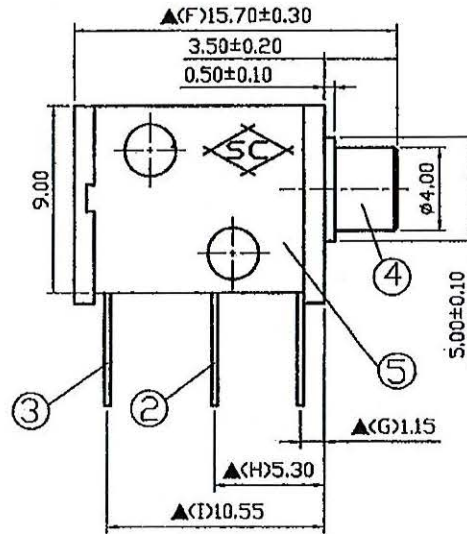




SCHEMATIC	
MODEX NO	Y



Pin Hole Layout
(Jack Bottom View)

6.	Housing	PBT	1	Black Color
5.	Cover	PBT	1	Black Color
4.	Barrel	Brass	1	Nickel Plated
3.	Break Terminal	0.3T Brass	1	Silver Plated
2.	Ring Spring	0.25T Phosphor Bronze	1	Silver Plated
1.	Earth Terminal	0.3T Brass	1	Silver Plated
NO	Description	Material	Q'TY	Finish

DATE	DWN	CHKD	APVD	MANAGER
03.07.2017				

PART NAME :2.5φ PHONE JACK	VERSION:4.0
TOLERANCE :±0.3mm UNLESS OTHERWISE SPECIFIED	UNIT:mm  
	SCALE:/

RoHS
Compliant

SPECIFICATIONS:
 Contact Resistance : 30mΩ max
 Insulation Resistance : 100MΩ min. at DC 500V
 Dielectric Withstanding Voltage: AC 500V for one minute
 Remark: ▲: The Most Important Dimension

SHOGYO INTERNATIONAL CORP.
#SCJ220M0NYS0B00G