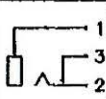
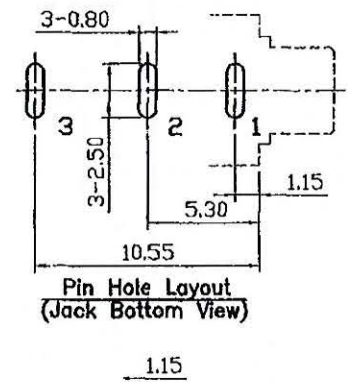
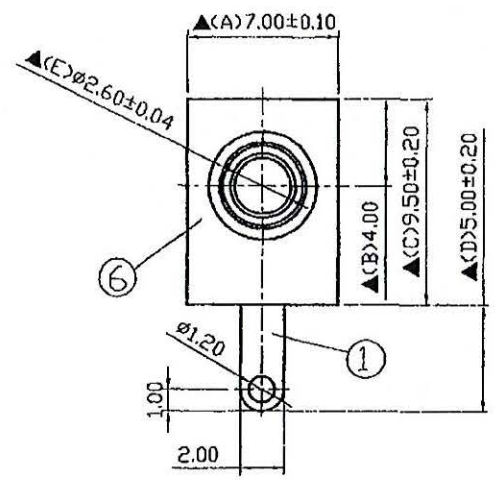
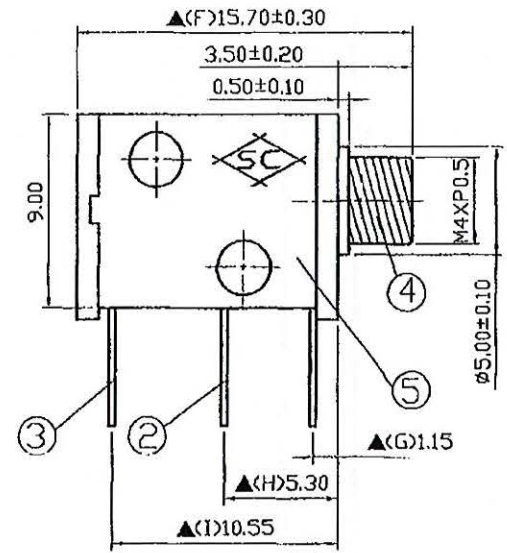
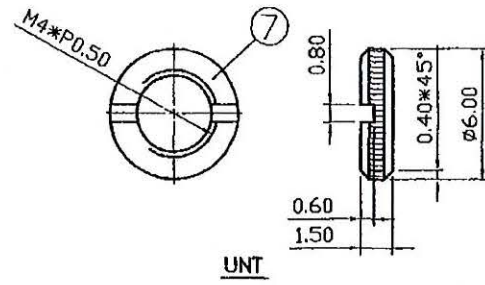



SCHEMATIC	
MODEX NO	Y



NO.	Description	Material	Q'TY	Finish
7.	Nut	Brass	1	Nickel Plated
6.	Housing	PBT	1	Black Color
5.	Cover	PBT	1	Black Color
4.	Barrel	Brass	1	Nickel Plated
3.	Break Terminal	0.3T Brass	1	Silver Plated
2.	Ring Spring	0.25T Phosphor Bronze	1	Silver Plated
1.	Earth Terminal	0.3T Brass	1	Silver Plated

DATE	DWN	CHKD	APVD	MANAGER
08.08.2018	王平華			

PART NAME :2.5φ PHONE JACK	VERSION:5.0
TOLERANCE :±0.3mm UNLESS OTHERWISE SPECIFIED	UNIT:mm 
	SCALE:/

RoHS
Compliant

SPECIFICATIONS:
 Contact Resistance : 30mΩ max
 Insulation Resistance : 100MΩ min. at DC 500V
 Dielectric Withstanding Voltage: AC 500V for one minute
 Remark: ▲: The Most Important Dimension

SHOGYO INTERNATIONAL CORP.
#SCJ220M1NYS1B00G