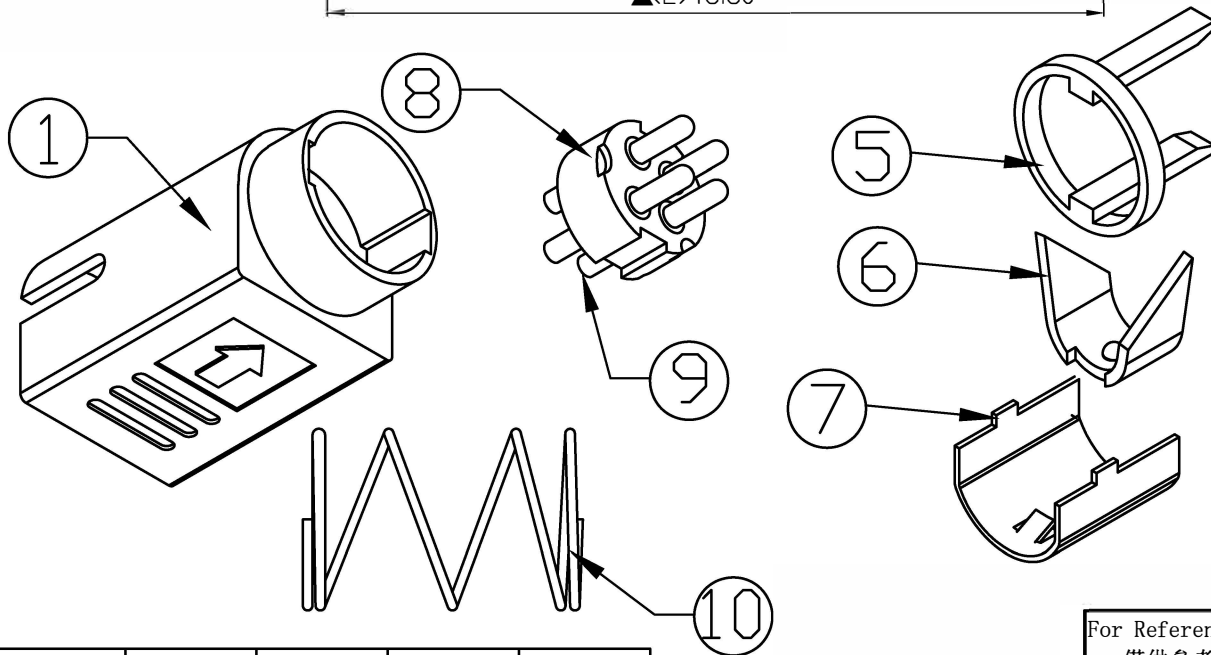


10.	Spring	Steel	1	Nickel Plating
9.	Pin	Copper Alloy	4	Silver Plating
8.	Housing	PBT	1	Black Color
7.	Cap	Copper Alloy	1	Nickel Plating
6.	Cable Fixed	Copper Alloy	1	Tin plating
5.	Ring	POM	1	Black Color
4.	SR	PVC	1	Black Color
3.	Plastic Tube	ABS	1	Black Color
2.	Shell	Copper Alloy	1	Nickel Plating
1.	Plastic Cover	ABS	1	Black Color
NO.	Description	Material	Q'TY	Finish



SHIGYO

DATE	DWN	CHKD	APVD	MANAGER
08.18.2021	王平華			

For Reference
僅供參考

RoHS & SVHC
Compliant

PART NAME : DIN PLUG

PART NUMBER:SCN780P4NS0B000G

VERSION:5.0

SPECIFICATIONS:

Contact Resistance : 30mΩ max
 Insulation Resistance : 50M Ωmin. at DC 250V
 Dielectric Withstand Voltage : AC 250V for one minute
 Remark: ▲ : The Most Important Dimension

TOLERANCE :±0.3mm UNLESS OTHERWISE SPECIFIED

UNIT:mm

SCALE:1/1