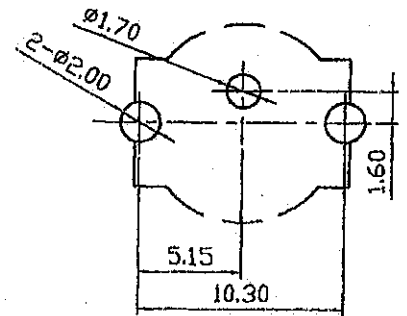
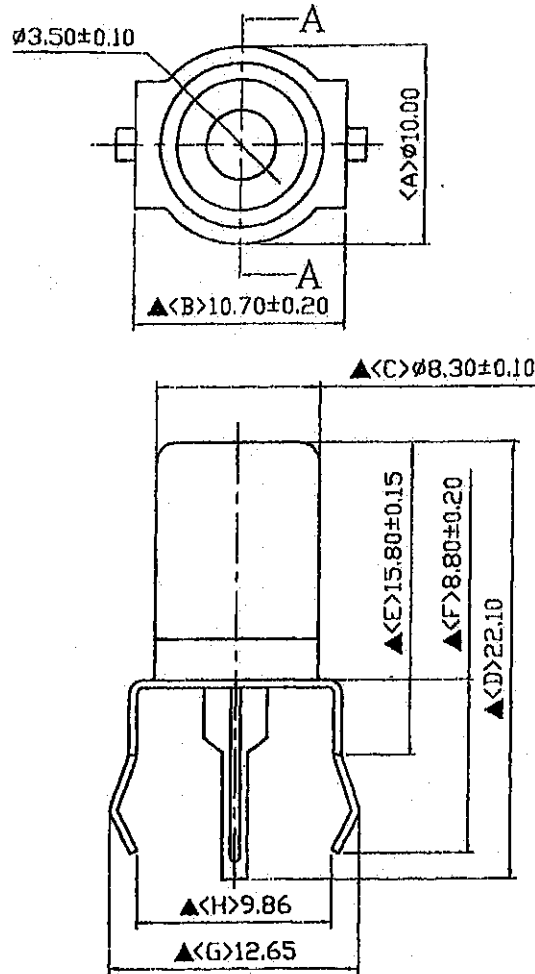
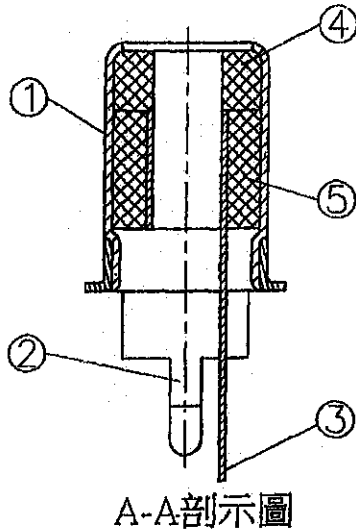


SCHEMATIC	
MODEL NO	U



Pin Hole Layout  
(Jack Bottom View)

NO.	Description	Material	Q'TY	Finish
5.	Insulator	PA66+33%G	1	Black Color
4.	Insulator	PA66+33%G	1	Black Color
3.	Pin	0.25T Brass	1	Tin Plating
2.	Mounting Bracket	0.4T Iron	1	Tin Plating
1.	Phone Jack Shell	0.3T Brass	1	Nickel Plating

DATE	DWN	CHKD	APVD	MANAGER
08.27.2015	王放策			

PART NAME : PIN JACK	VERSION:2.0
TOLERANCE : $\pm 0.3$ mm UNLESS OTHERWISE SPECIFIED	UNIT:mm
	SCALE:1/1

RoHS  
Compliant

SPECIFICATIONS:

Contact Resistance : 30m $\Omega$  max  
 Insulation Resistance : 100M $\Omega$  min. at DC 500V  
 Dielectric Withstand Voltage : AC 500V for one minute  
 Remark:  $\blacktriangle$ : The Most Important Dimension

**SHOGYO INTERNATIONAL CORP.**  
**#SCP606UNT1T00P6G**  
 PIN JACK