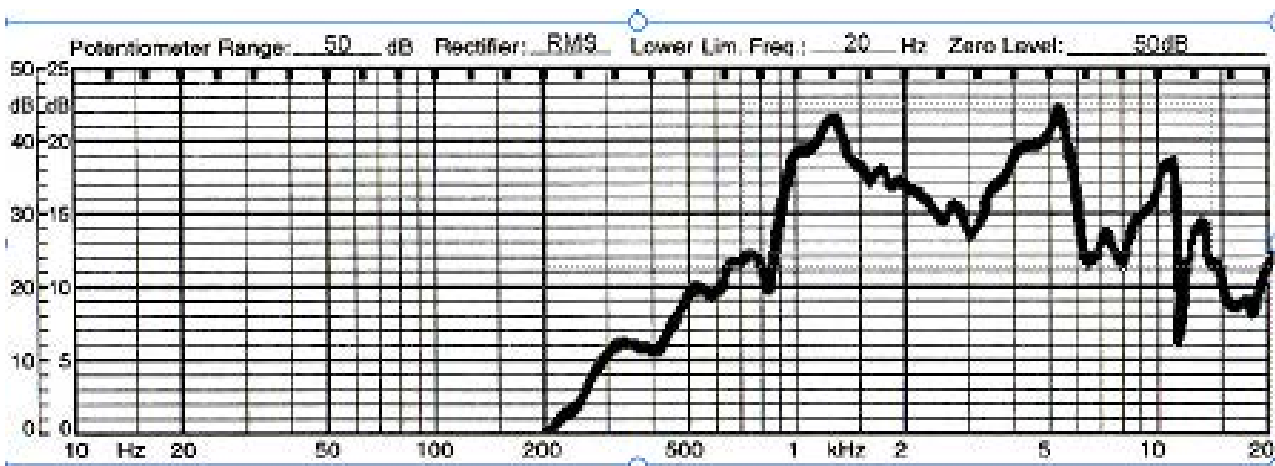


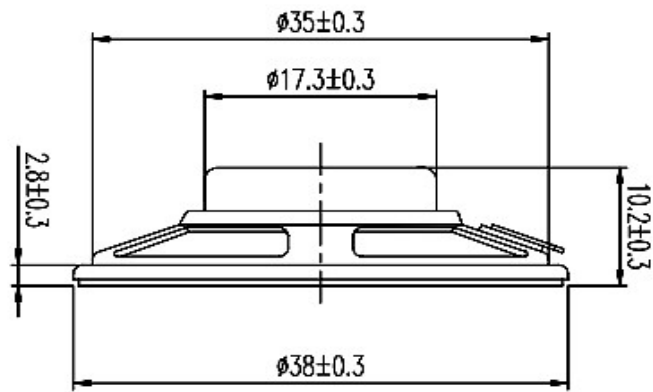
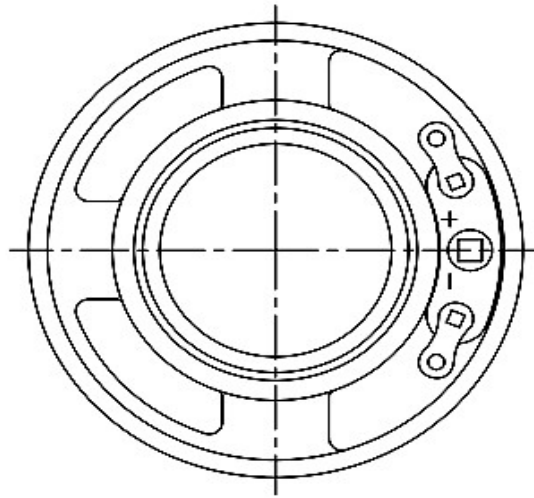
SHOGYO INTERNATIONAL CORP.

www.shogyo.com

SPEAKER SPECIFICATIONS

| | | | | | |
|-----------|--------------------------|--|-------------------------------|------------------------|--|
| MODEL NO. | GC0381MX-1 (RoHS) | | | | |
| 1 | NOMINAL SIZE | 38 mm | | | |
| 2 | IMPEDANCE | 8 Ω \pm 15% | | | |
| 3 | RESONANCE FO | 1100 Hz \pm 220 Hz | | | |
| 4 | OUTPUT S.P.L. | 85 dB/w \pm 3 dB | 0.2 w 50 cm average at | | |
| 5 | FREQ. RESPONSE | Fo Hz \sim 10K Hz | | | |
| 6 | INPUT POWER | Rated power 0.2 W | | Max power 0.4 W | |
| 7 | OPERATION | Must be normal at program source 0.2 W | | | |
| 8 | BUZZ. RATTLE, ETC. | Must be normal at Sine Wave 1.26 V | | | |
| 9 | FLUX DENSITY | Gauss \pm 10% | | | |
| 10 | MAGNET | NdFeB ϕ12.5 x 1.5H mm | | | |
| 11 | TOTAL WEIGHT | 10.6 grams | | | |
| 12 | DISTORTION | 10% MAX at 1K Hz 0.2 W | | | |
| 13 | LOAD TEST | Must be normal White noise 0.2 W. 24 Hours at 25°C (room temp.) | | | |
| 14 | OPERATION TEMP. | Must be normal -25 °C \sim +60 °C | | | |
| 15 | HEAT TEST | Must be normal 60\pm2 °C 20-50 % R.H. 24 Hours | | | |
| 16 | HUMIDITY TEST | Must be normal 40\pm2 °C 90-95 % R.H. 24 Hours | | | |





MODEL NO.

GC0381MX-1

| | | | |
|-----------------------------|----------|---------|--------|
| Unit: mm Tol.: ± 0.3 | APPROVED | CHECKED | DRAWED |
| | | | |

SHOGYO INTERNATIONAL CORP.