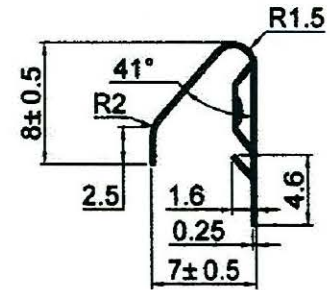
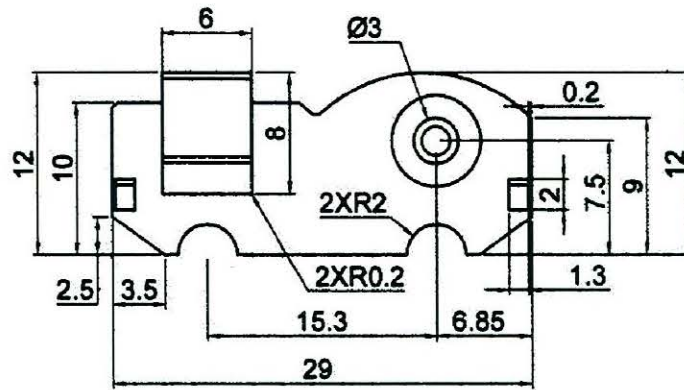


317 NEGATIVE-POSTIVE



MATERIAL: 0.25MM SPRING STEEL  
NICKEL PLATE

3		
2		
1		
NO.	MODIFICATION	DATE
<p>THIRD ANGLE PROJECTION</p>		

SCALE	2:1
UNIT	MM
MAT'L	锰钢镀镍
DATE	JAN. 12. 2009

**SHOGYO INTERNATIONAL CORP.**  
#317 ANODE-CATHODE  
BATTERY CONTACT