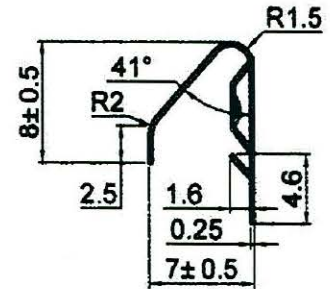
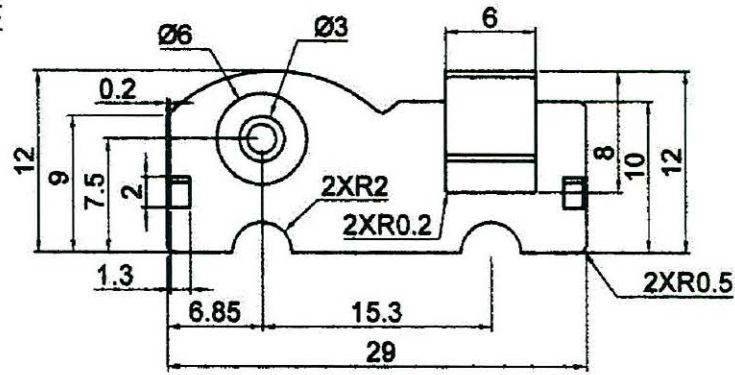


317 POSTIVE-NEGATIVE



3		
2		
1		
NO.	MODIFICATION	DATE
THIRD ANGLE PROJECTION		

SCALE	2:1
UNIT	MM
MAT'L	锰钢镀镍
DATE	JAN. 12. 2009

MATERIAL: 0.25MM SPRING STEEL
NICKEL PLATE

SHOGYO INTERNATIONAL CORP.
#317 CATHODE-ANODE
BATTERY CONTACT