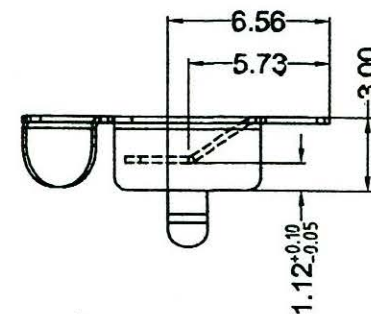
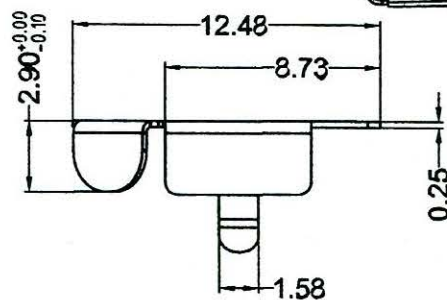
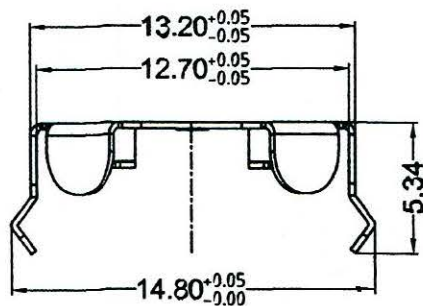
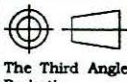


BC-1202  
PCB LAYOUT



**SPECIFICATION**

- (1) ITEM NO:BC-1202
- (2) MATERIAL:0.25MM PHOSPHOR BRONZE  
NICKEL PLATED
- (3) USE MINIMUM BEND RADII
- (4) RoHS COMPLIANT

3				
2				
1				
NO.	MODIFICATION	DATE	SCALE	1:1
General Tolerances			UNIT	MM
0 ~ >3	± 0.10	30 ~ >120	± 0.30	 The Third Angle Projection
3 ~ >6	± 0.10	120 ~ >400	± 0.50	
6 ~ >30	± 0.20	Angle: ± 3°		
DATE				JUL. 18, 2016

**SHOGYO INTERNATIONAL CORP.**

**#BC-1202**

BATTERY CLIP