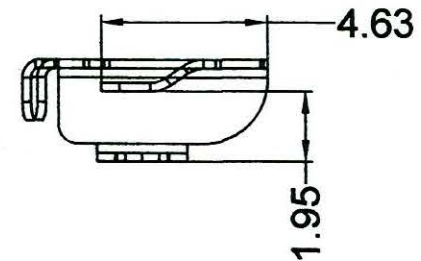
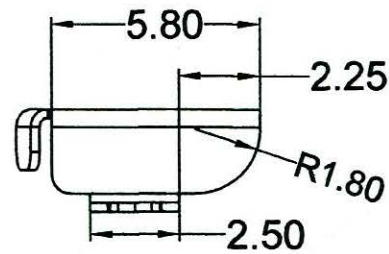
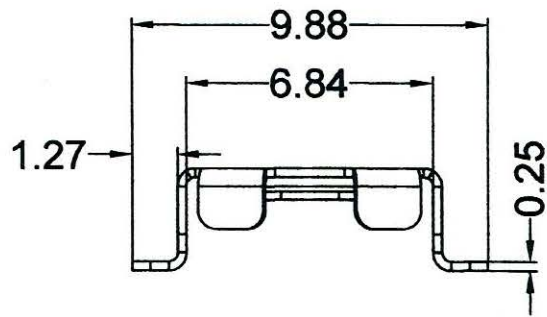
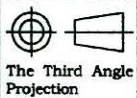


PCB LAYOUT



NOTES:

- 0.25mm PHOSPHOR BRONZE 1/2H, NICKEL PLATED 4u"-6u"
 - TEMPERATURE RANGE: -40°C TO +270°C
 - *VIBRATION TEST: 10-50-10 HZ SWEEPED IN 60 SECONDS
X,Y,Z DIRECTION: 1 HOUR EACH DIRECTION
 - *RESULT: NO DISLODGEEMENT OF THE CELL OR DAMAGE
NO DISCONTINUITY OVER 10 MICRO-SECONDS
 - *SHOCK TEST: HALF SINE WAVE ACCELERATION 150G. 6 MILLI-SECONDS
3 SHOCK PULSES EACH DIRECTION PER AXIS, TOTAL OF 18 PULSES
 - *RESULT: NO EVIDENCE OF PHYSICAL DAMAGE
 - *DROP TEST: DROPPED FROM 1M HIGH TO CONCRETE FLOOR
 - *RESULT: NO EVIDENCE OF PHYSICAL DAMAGE
- ROHS 2 COMPLIANT

3				
2				
1				
NO.	MODIFICATION	DATE	SCALE	1:1
General Tolerances			UNIT	MM
0 ~ >3	± 0.10	30 ~ >120	± 0.30	 The Third Angle Projection
3 ~ >6	± 0.10	120 ~ >400	± 0.50	
6 ~ >30	± 0.20	Angle: ± 3°		
			MAT'L	SEE SPEC.
			DATE	AUG. 09. 2016

SHOGYO INTERNATIONAL CORP.

#BC-6802

BATTERY CLIP