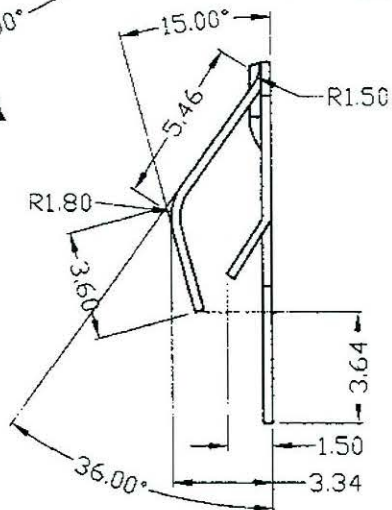
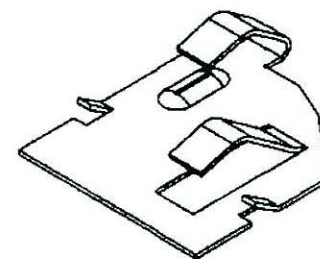
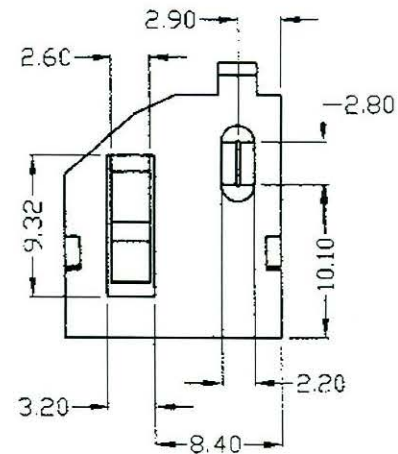
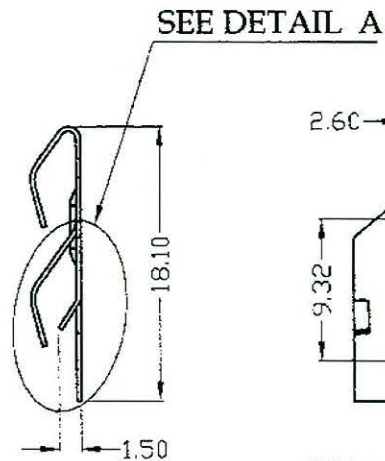
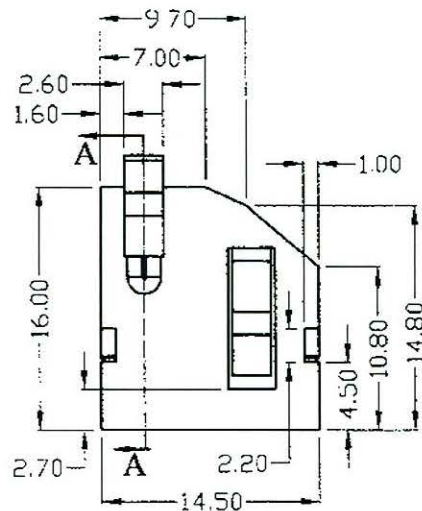


SECTION A-A



DETAIL A
SCALE 4:1



3		
2		
△	PHOSPHOR BRONZE CHANGED TO SPRING STEEL.	2007. 3/16
NO.	MODIFICATION	DATE
THIRD ANGLE PROJECTION		

SCALE	2:1
UNIT	MM
MAT'L	AS NOTED
DATE	DEC. 23. 2006

NOTES :

1. MATERIAL : SPRING STEEL 0.3mm THK.
2. ELECTROPLATING : DUPLEX NICKEL OVER COPPER.

SHOGYO INTERNATIONAL CORP.
#402-2C ANODE-CATHODE
 BATTERY CONTACT